



# **HYPER 10SC20**

**1/10<sup>th</sup>  
SCALE**

*Electric*

## **HoBao**

**HoBao Racing Inc.**  
No. 34, Lane 112, Szu Yuan Road, Hsin Chuang District,  
New Taipei City, Taiwan 24250  
Phone: +886-2-2996-2229  
Email: [hobao@hobao.com.tw](mailto:hobao@hobao.com.tw)

**HoBao Racing USA**  
7607 Grissom Road, Suite  
#107, San Antonio, TX 78251. US  
Tel: +1-888-687-6780  
Email: [info@hobao-usa.com](mailto:info@hobao-usa.com)

HoBao Racing Direct eShop: <http://eshop.hobao-racing.com>

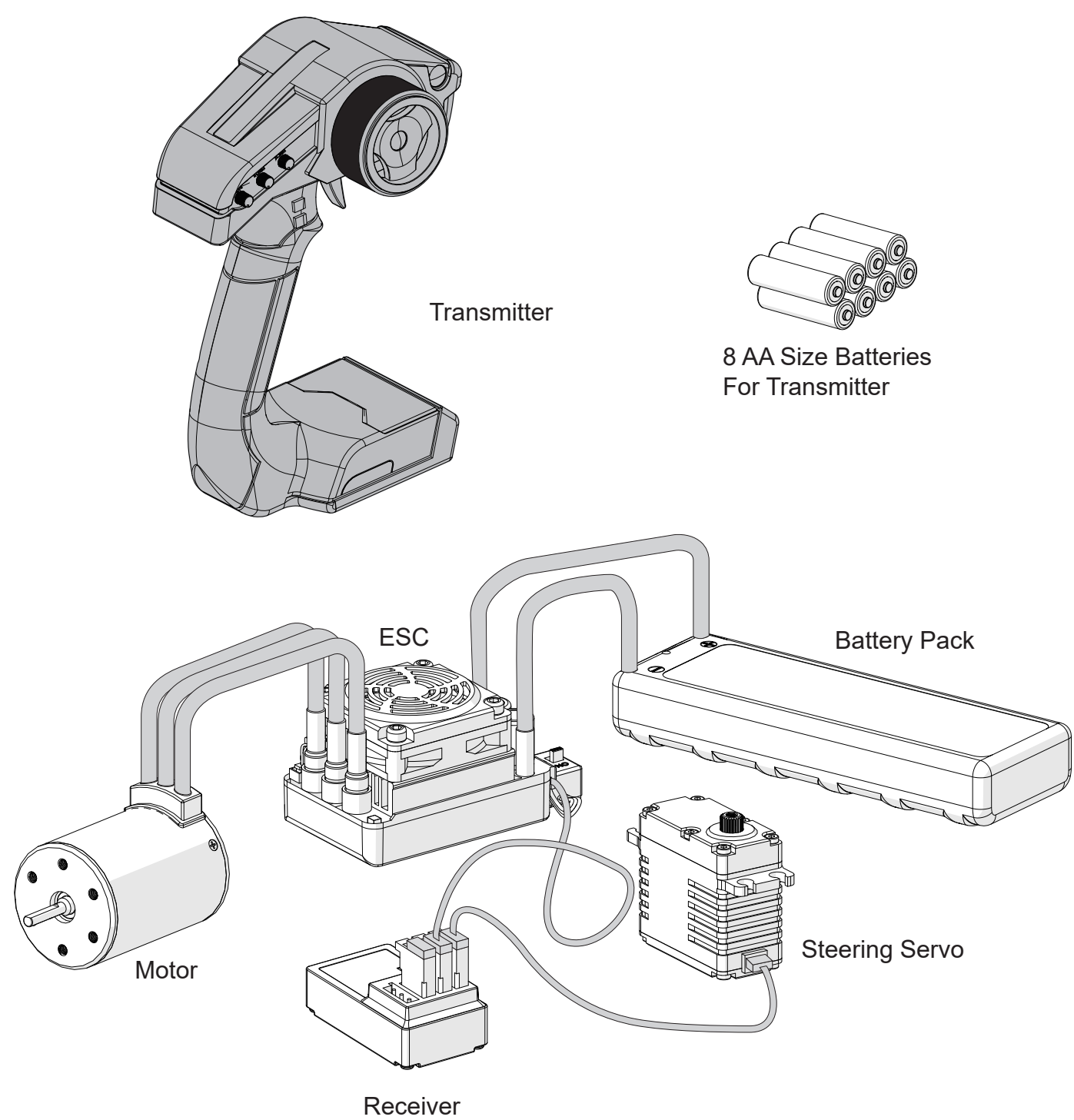


# **INSTRUCTION MANUAL**

# HYPER 10SC20

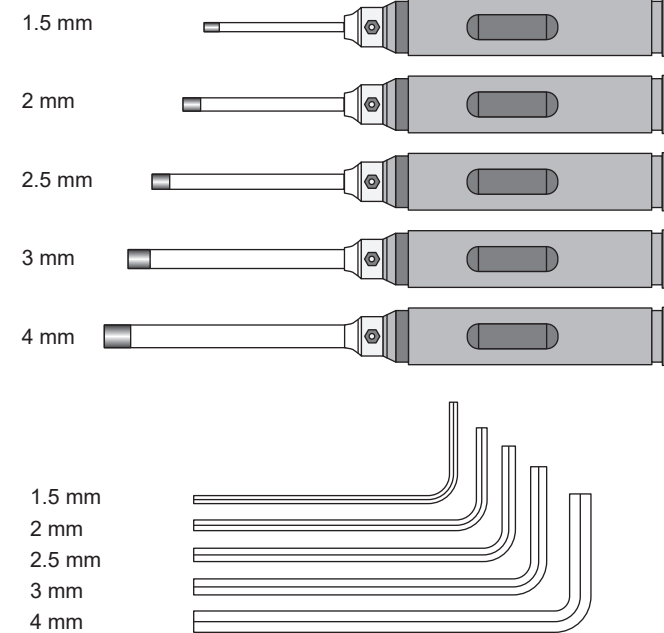
## REQUIRED

### Radio Control Equipment Set

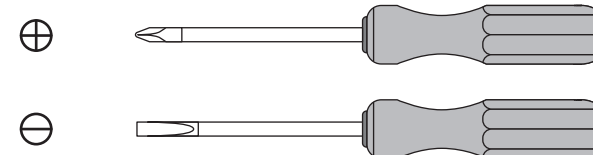


## Tools Recommended

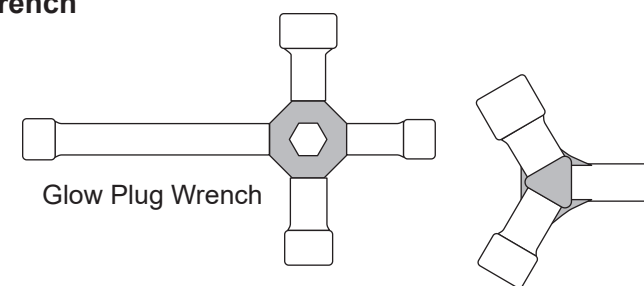
### Hex Wrench



### Screwdriver



### Wrench



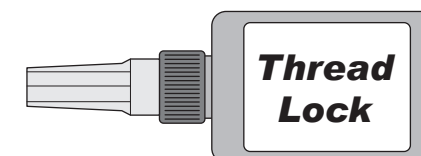
### Instant Cement



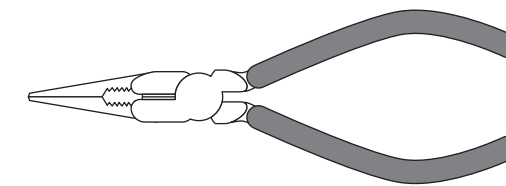
### Rubber Cement



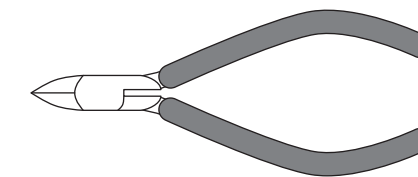
### Thread Lock



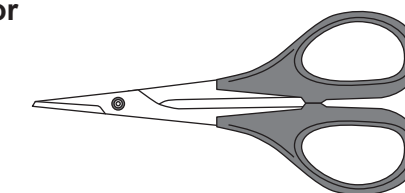
### Long Nose Pliers



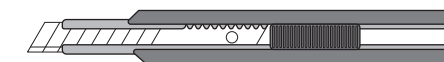
### Side Cutter



### Curved Scissor



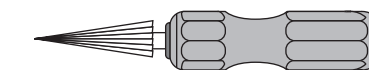
### Modeling Knife



### Tweezers



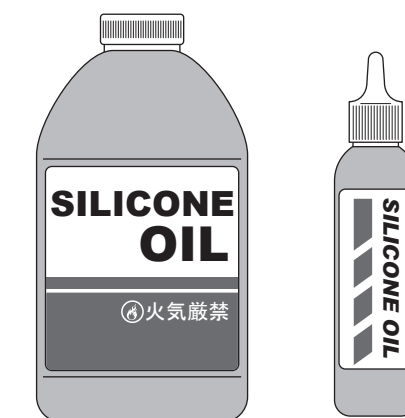
### Reamer

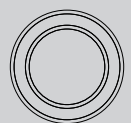
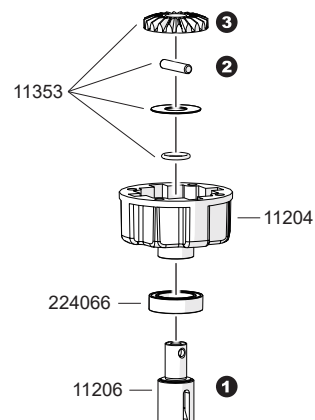
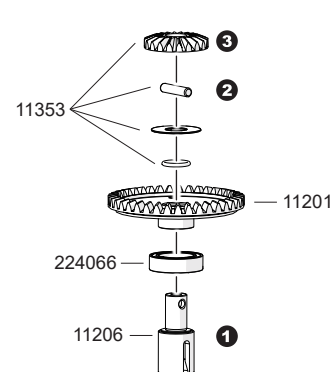
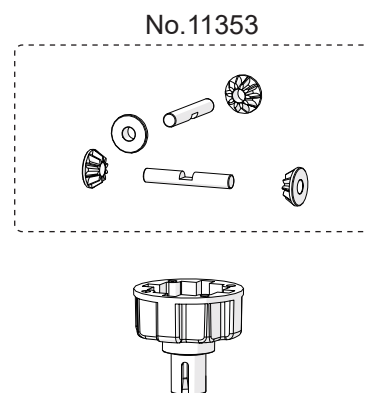
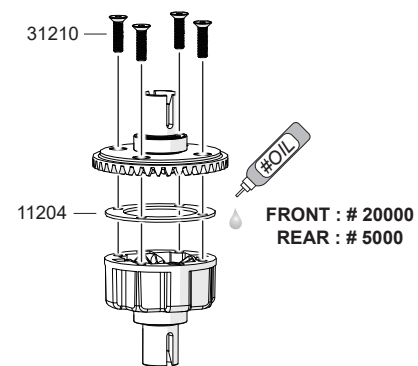
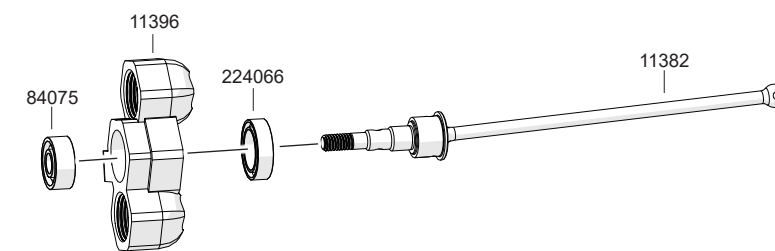
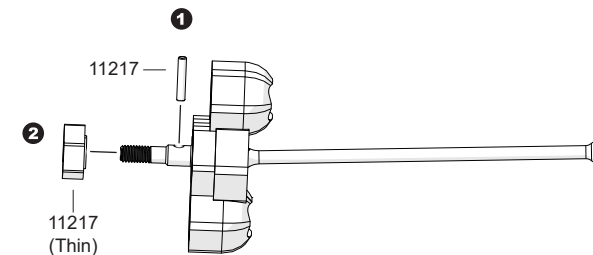
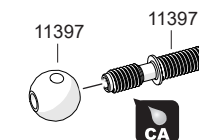
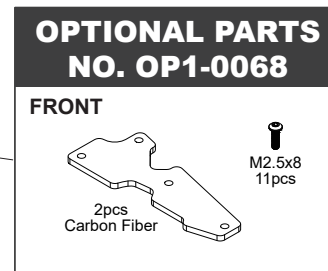
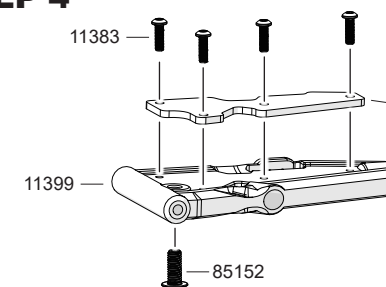
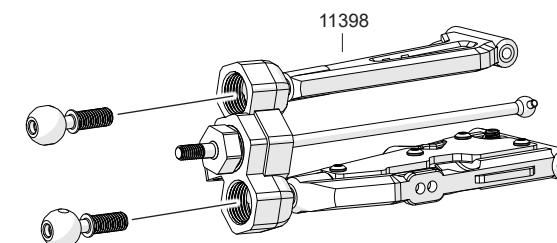
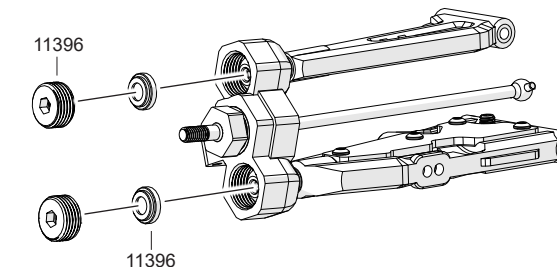
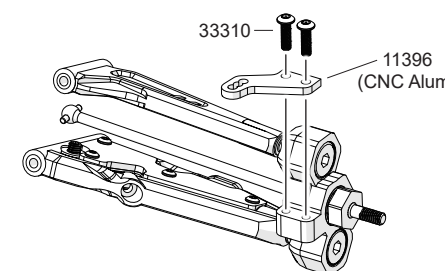
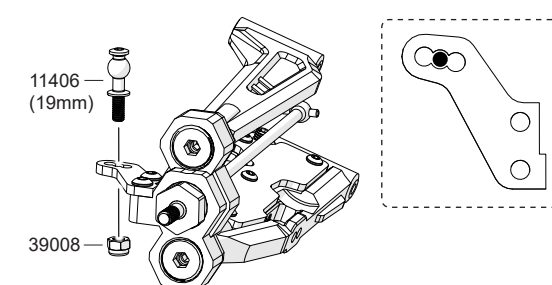
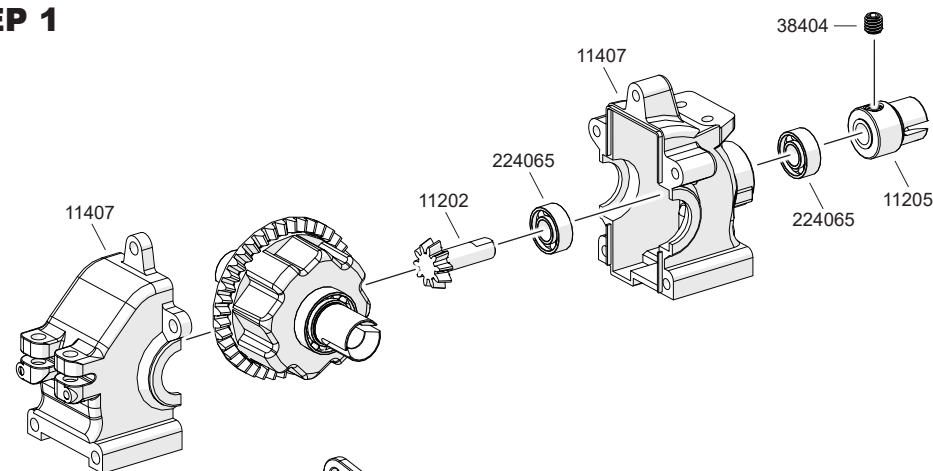
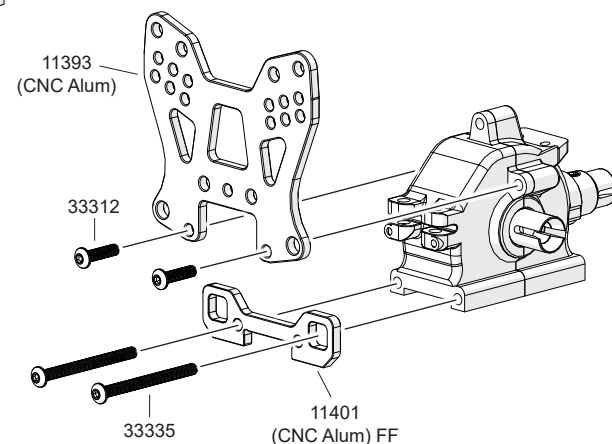
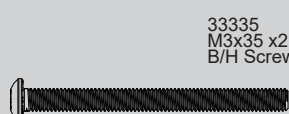


### Grease



### Silicone Oil



**1****Front / Rear Differential Assembly****x2**31210  
M2.6x10 x4  
F/H Screw11353  
2x11.8mm x2  
Shaft11353  
6x1mm x4  
O-ring11353  
6.1x13.9x0.15mm x2  
Washer224066  
10x15x4mm x2  
Ball Bearing**1****2****3****4**FRONT : # 20000  
REAR : # 5000**3**11383  
M2.5x8 x8  
B/H Screw85152  
M4x10 x2  
Set Screw33310  
M3x10 x4  
B/H Screw84075  
6x13x5mm x2  
Ball Bearing224066  
10x15x4mm x2  
Ball Bearing11217  
2x10.8mm x2  
Shaft39008  
Nylon Nut M3 x2**Front Pivot Ball Steering And Suspension Arm With CVA Shaft Assembly****STEP 1****STEP 2****STEP 3****STEP 4****STEP 5****STEP 6****STEP 7****STEP 8****2****Front Gear Box And CNC Alum Shock Tower With Arm Holder Assembly****STEP 1****STEP 2**38404  
M4x4 x1  
Set Screw33312  
M3x12 x3  
B/H Screw33335  
M3x35 x2  
B/H Screw224065  
5x11x4mm x2  
Ball Bearing

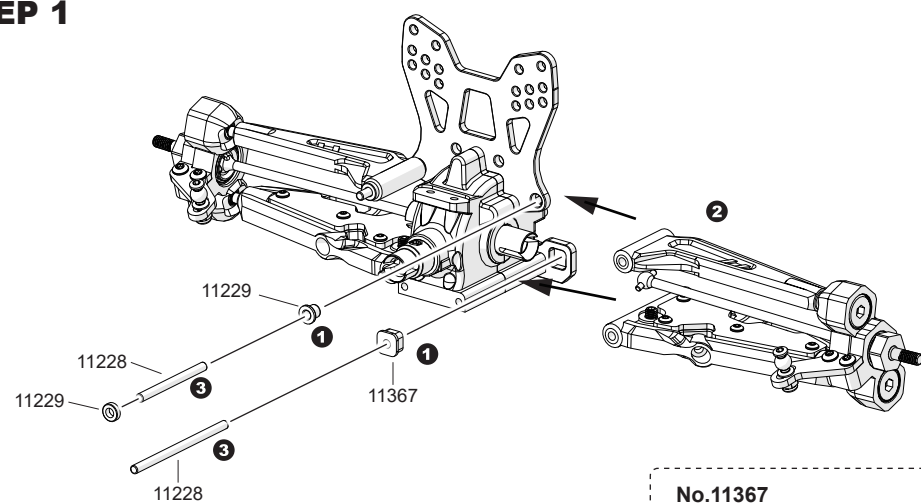
4

### Front Suspension Arm And Lower Arm Holder Assembly

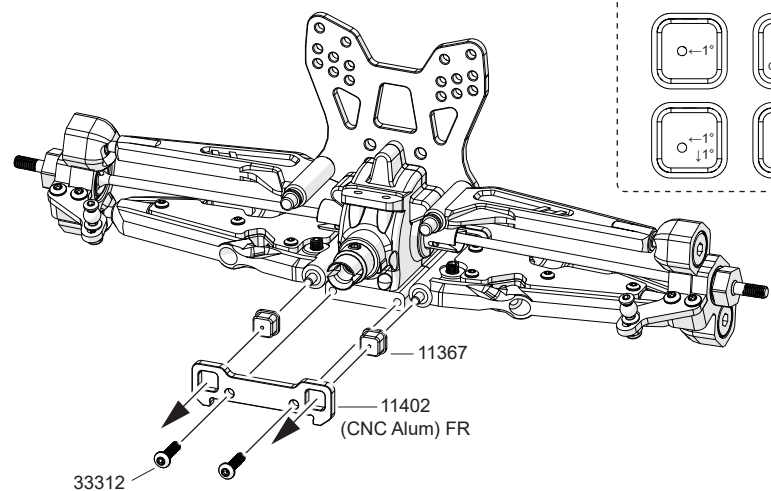


33312  
M3x12 x2  
B/H Screw

#### STEP 1



#### STEP 2



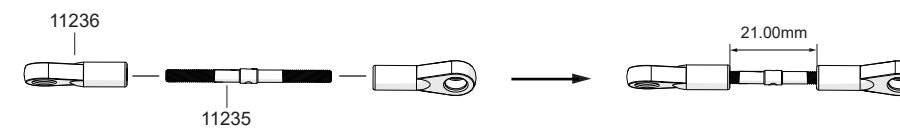
6



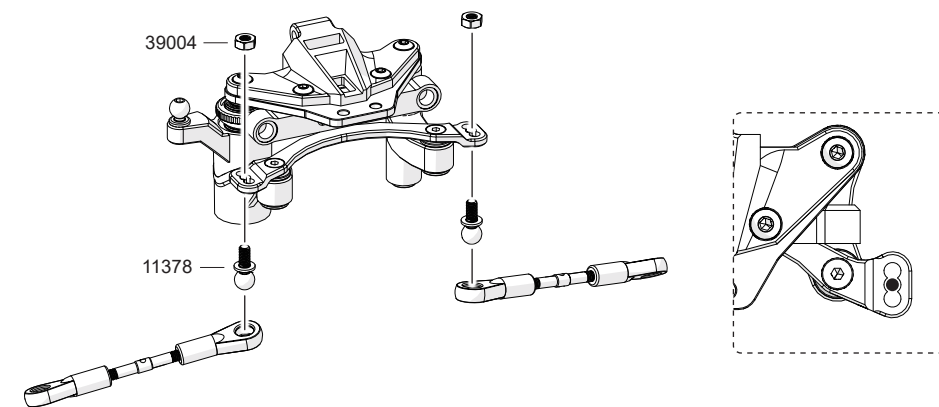
39004  
M3 Nut x2

### Servo Saver Assembly 2

#### STEP 1



#### STEP 2



5

### Servo Saver Assembly 1



31310  
M3x10 x2  
F/H Screw

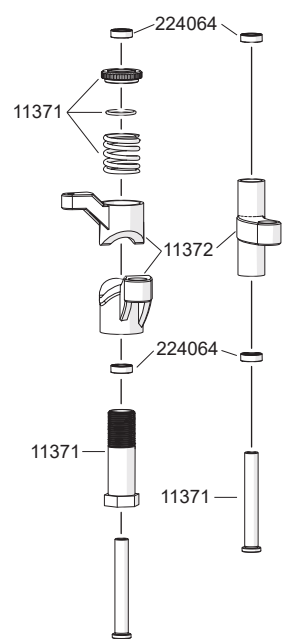


33310  
M3x10 x4  
B/H Screw

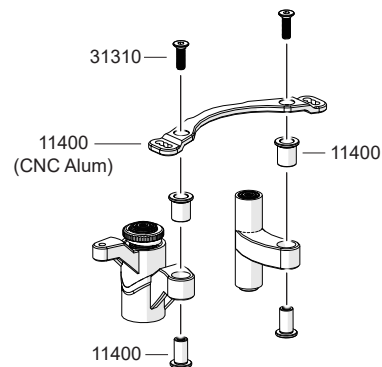


224064  
5x8x2.5mm x2  
Ball Bearing

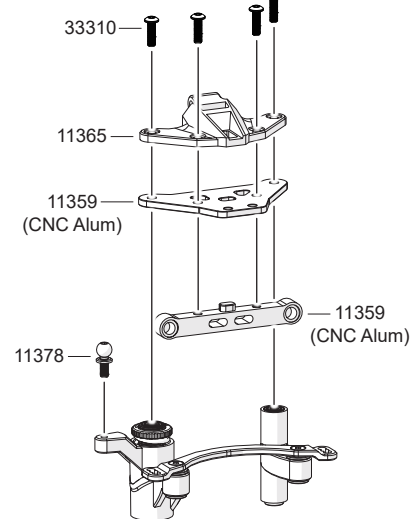
#### STEP 1



#### STEP 2



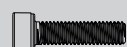
#### STEP 3



7



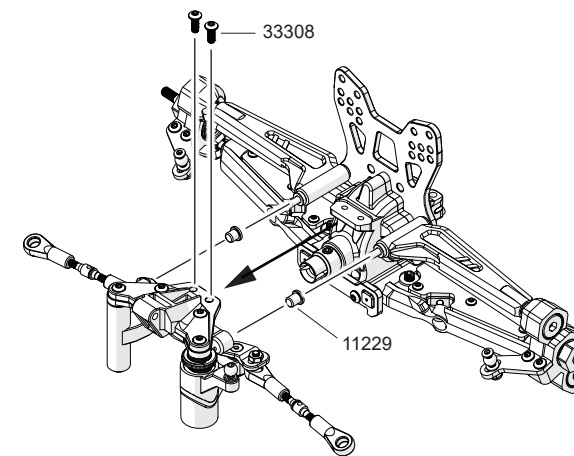
33308  
M3x8 x2  
B/H Screw



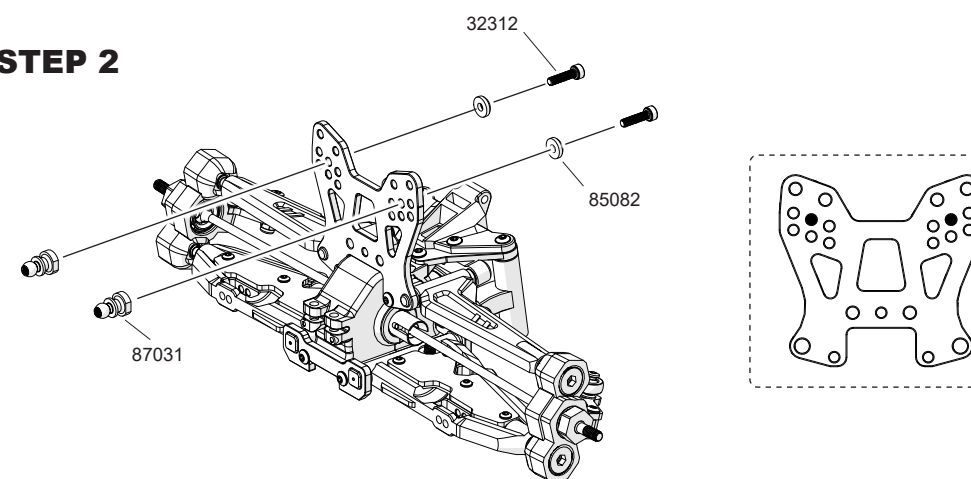
32312  
M3x12 x2  
Cap Screw

### Servo Saver Assembly 3

#### STEP 1



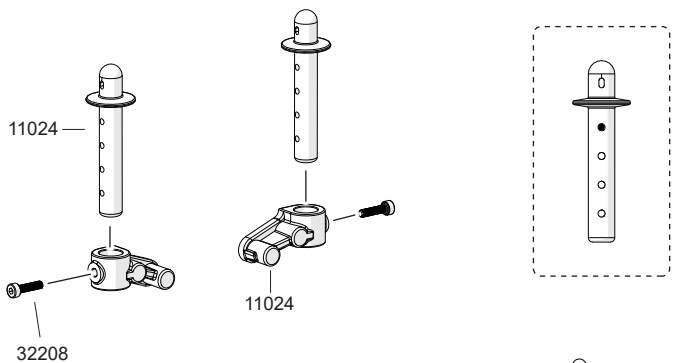
#### STEP 2



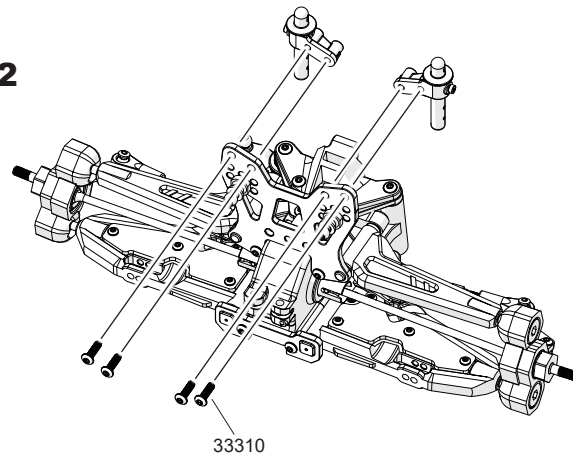
8

### Front Body Mount Assembly

#### STEP 1



#### STEP 2



32208  
M2x8 x2  
Cap Screw

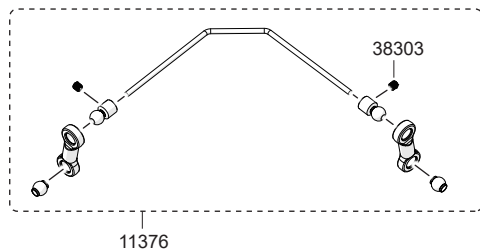


33310  
M3x10 x2  
B/H Screw

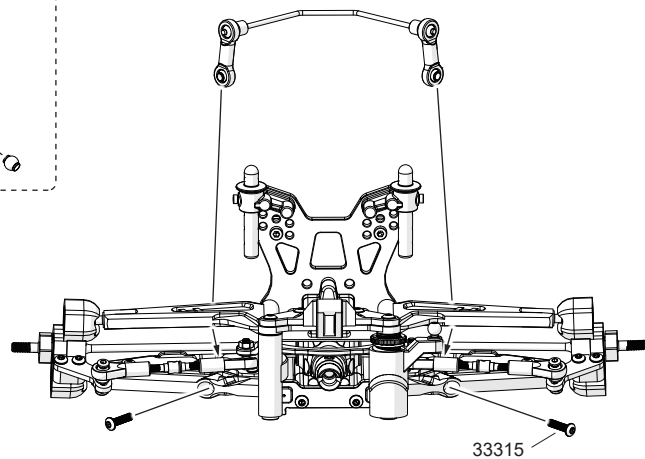
9

### Front Sway Bar Assembly

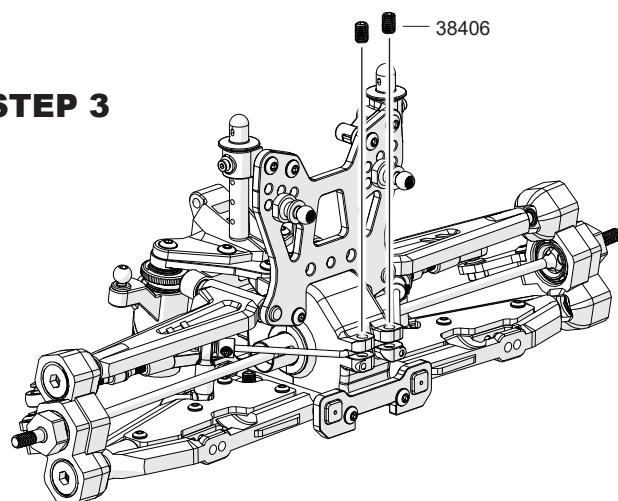
#### STEP 1



#### STEP 2



#### STEP 3



38303  
M3x3 x2  
Set Screw



38406  
M4x6 x2  
Set Screw



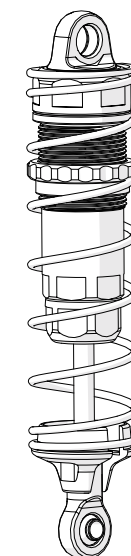
33315  
M3x15 x2  
B/H Screw

10

### Front Shock Absorber Assembly

x2

#### Front Shock Set No.40133



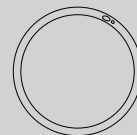
With #700 Oil



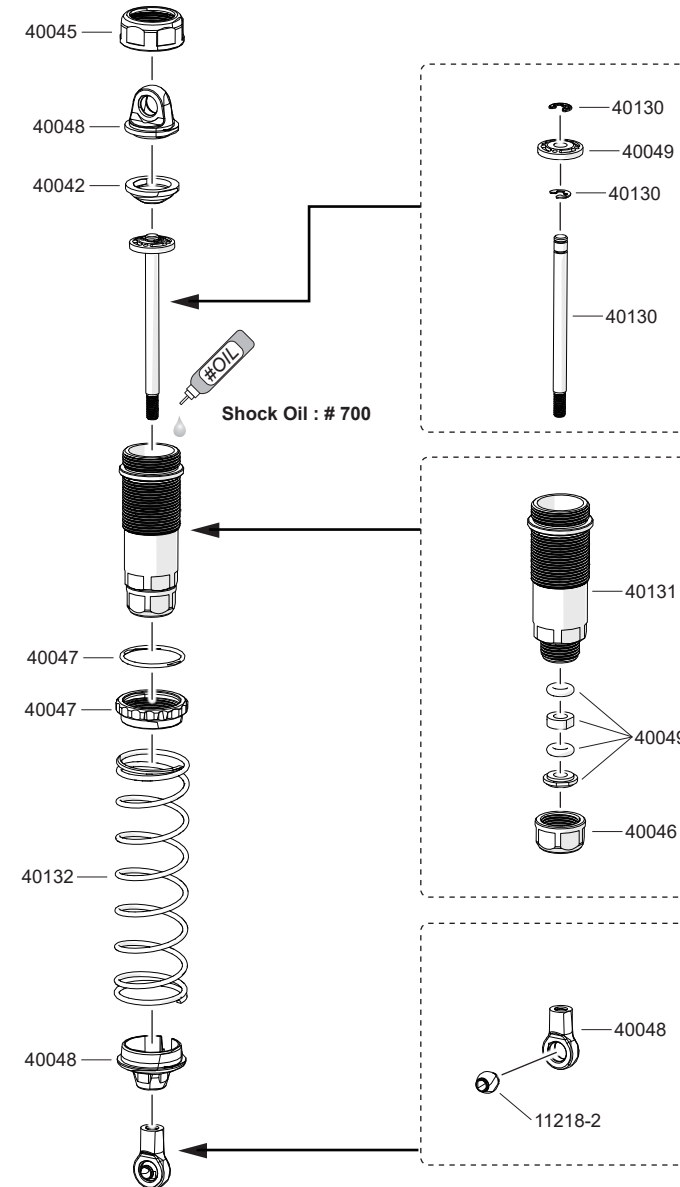
40049  
3.3x1.9mm x8  
O-ring



40049  
11.9x11.6mmx2.5 x4



40047  
15x1mm x4  
O-ring

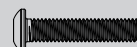


11

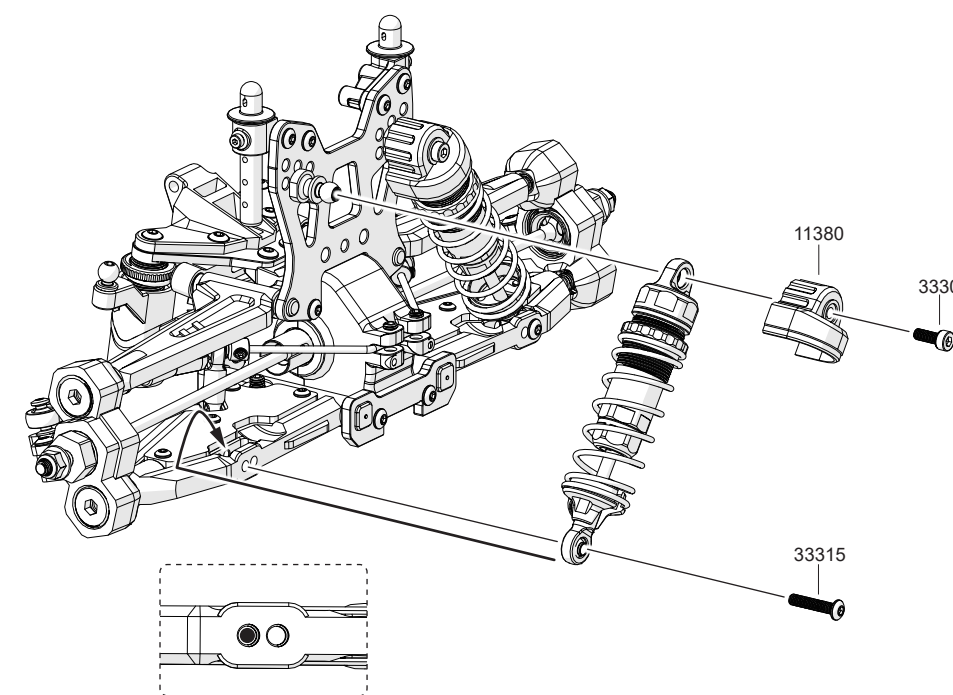
### Front Shock Assembly



33306  
M3x6 x2  
B/H Screw







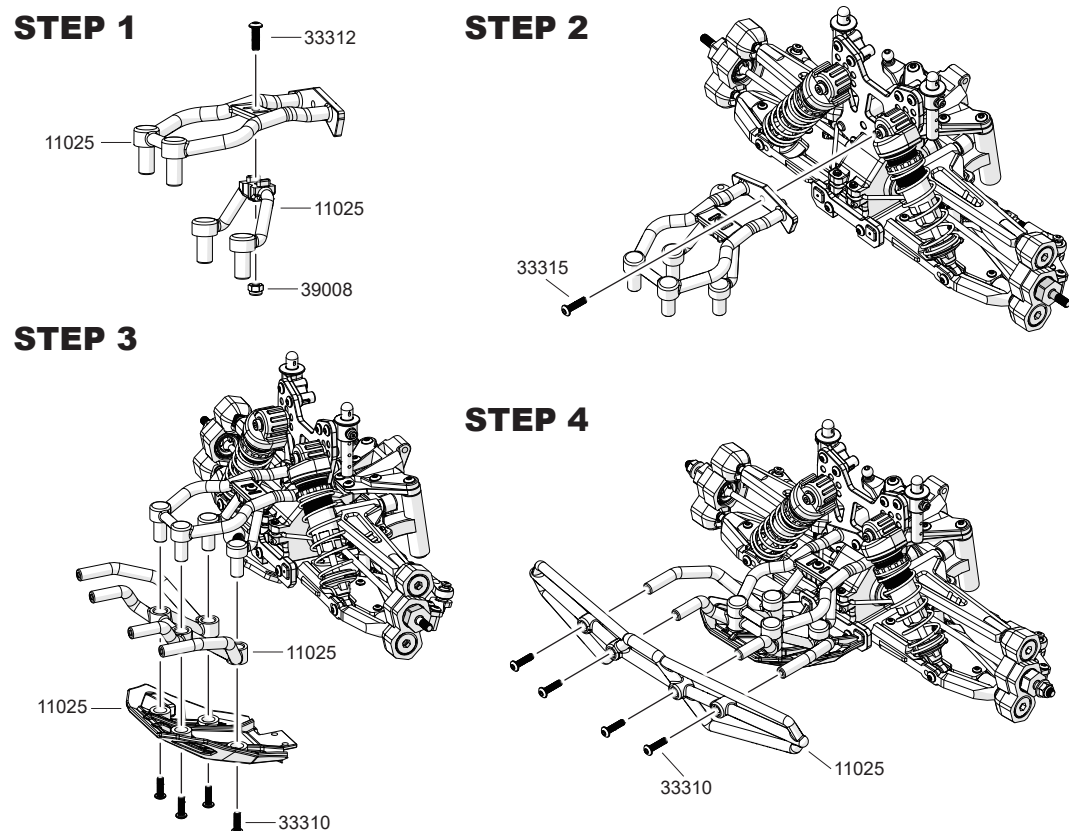
33315  
M3x15 x2  
B/H Screw



12



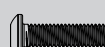


Front Bumper Assembly

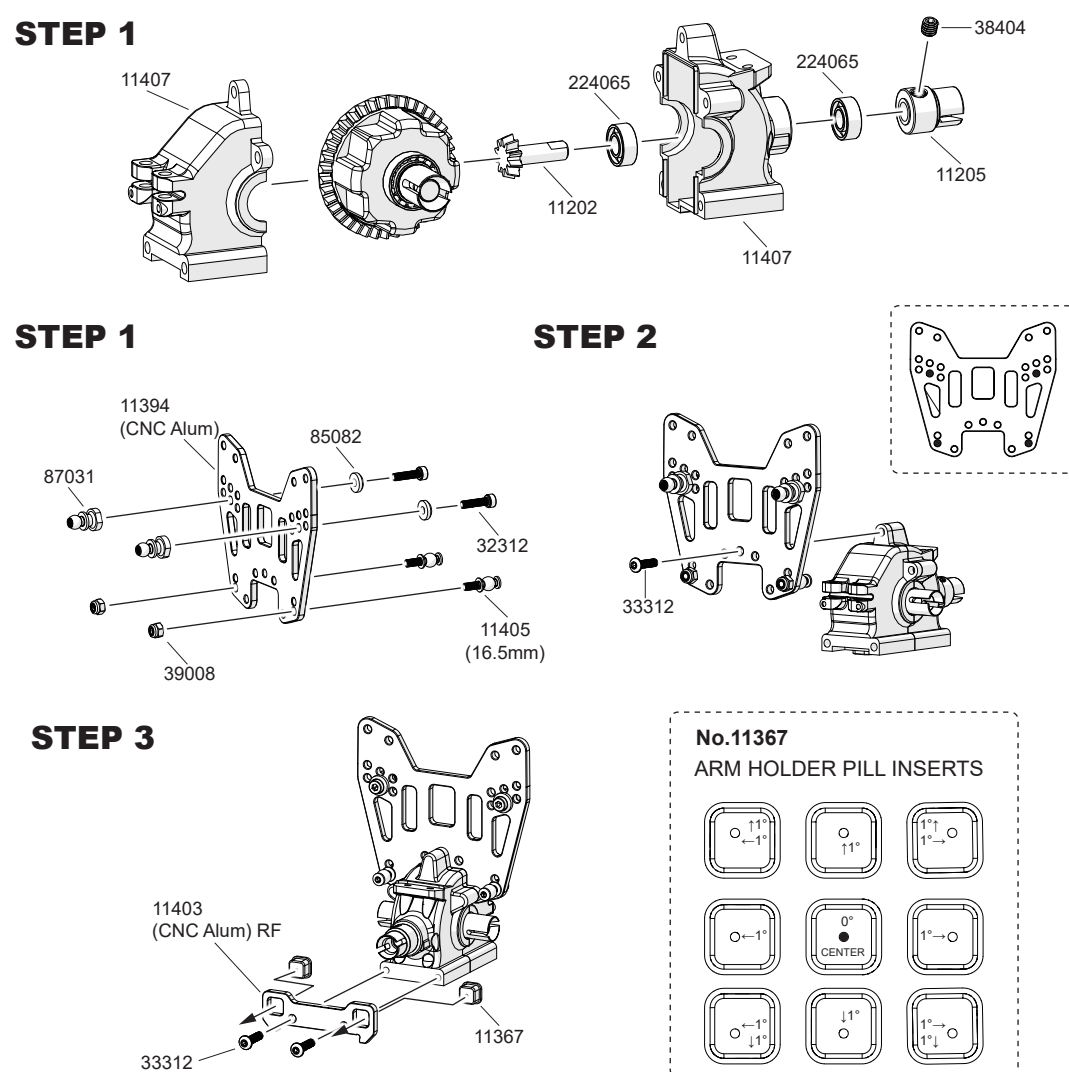
-  33310 M3x10 x8 B/H Screw
-  33312 M3x12 x1 B/H Screw
-  33315 M3x15 x1 B/H Screw
-  39008 Nylon Nut M3 x2



13







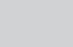

Rear Gear Box And CNC Alum Shock Tower Assembly

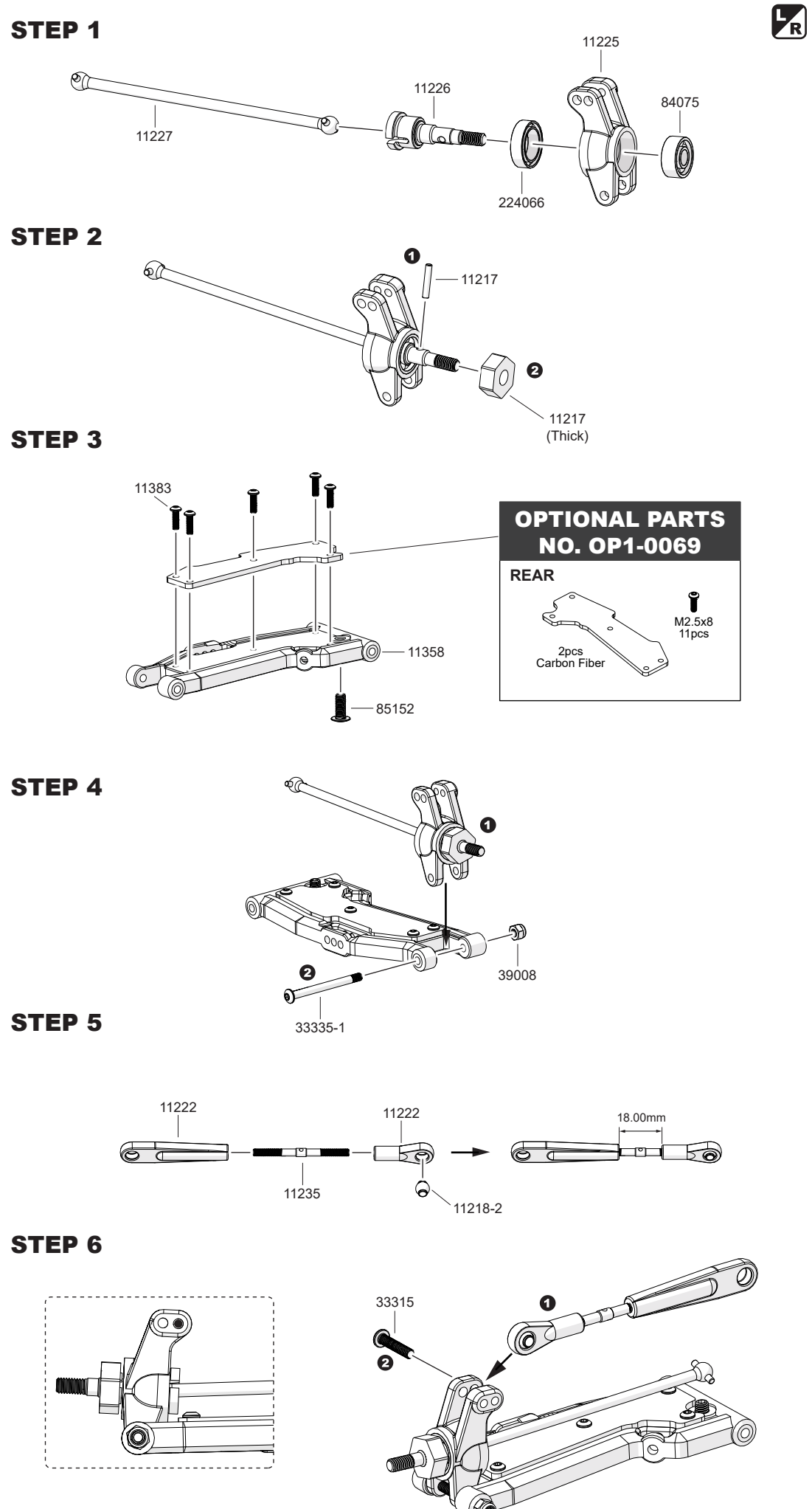
-  38404 M4x4 x1 Set Screw
-  32312 M3x12 x2 Cap Screw
-  33312 M3x12 x3 B/H Screw
-  224065 5x11x4mm x2 Ball Bearing
-  39008 Nylon Nut M3 x2



14

Rear Suspension Arm And Axle Assembly

-  11383 M2.5x8 x10 B/H Screw
-  85152 M4x10 x2 Set Screw
-  84075 6x13x5mm x2 Ball Bearing
-  224066 10x15x4mm x2 Ball Bearing
-  11217 2x10.8mm x2 Shaft
-  33315 M3x15 x2 B/H Screw
-  33335-1 M3x35 x2 B/H Screw
-  39008 Nylon Nut M3 x2

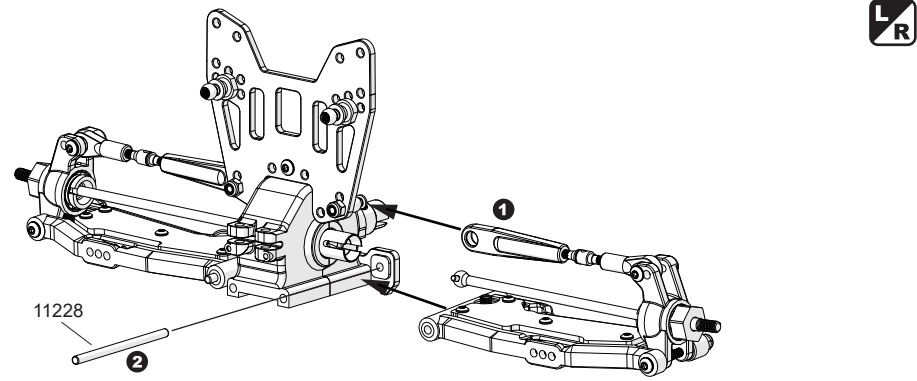


15

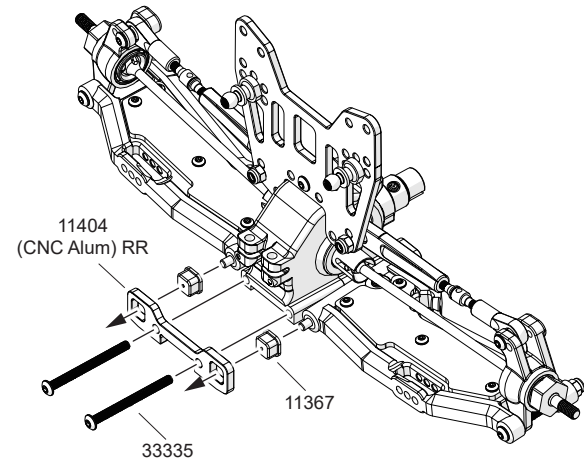
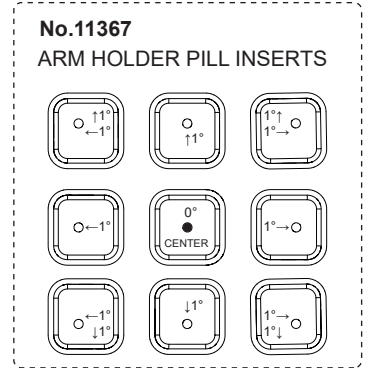
### Rear Suspension Arm Assembly



STEP 1

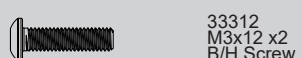
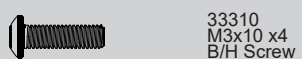
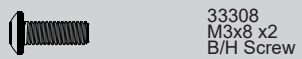
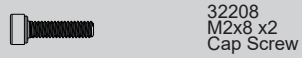


STEP 2

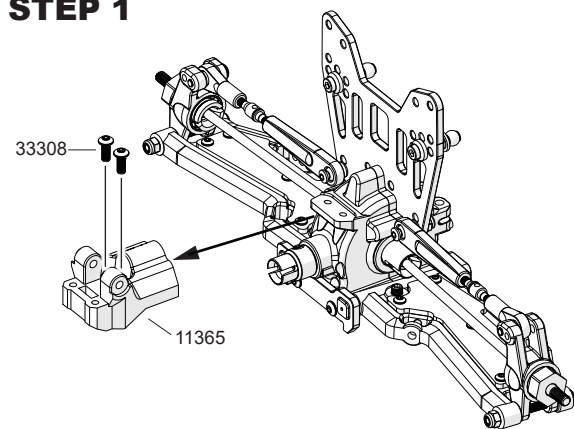


16

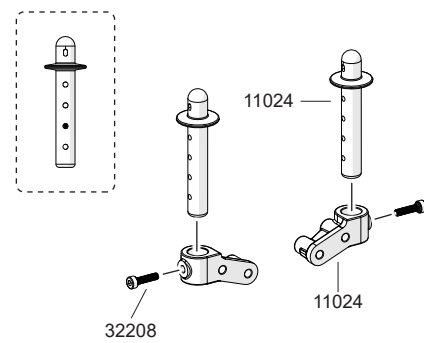
### Rear Body Mount Assembly



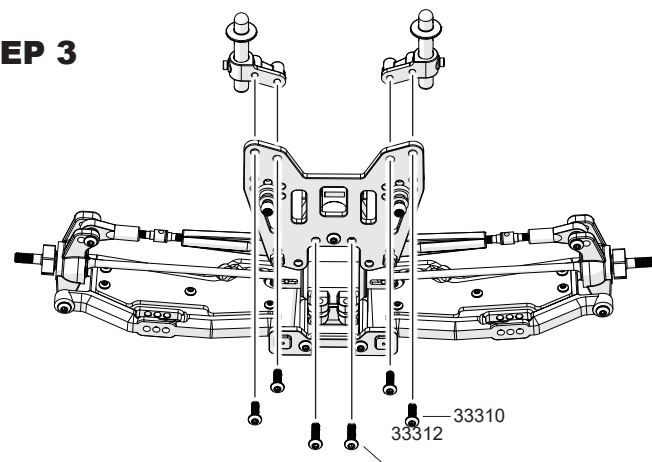
STEP 1



STEP 2

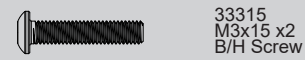
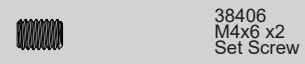
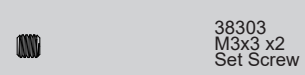


STEP 3

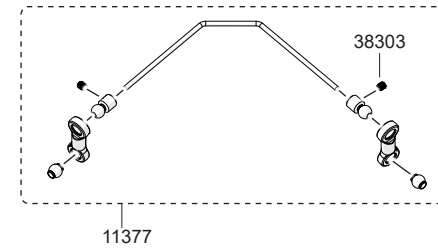


17

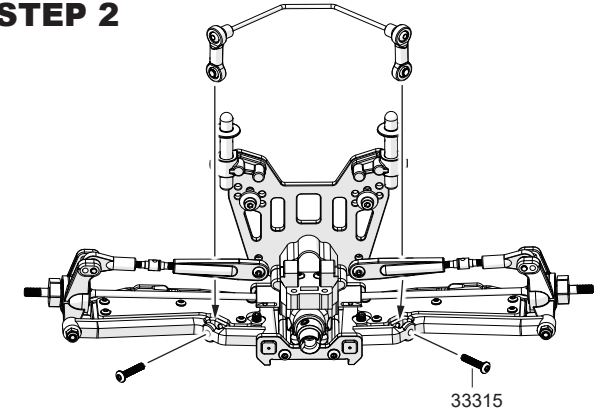
### Rear Sway Bar Assembly



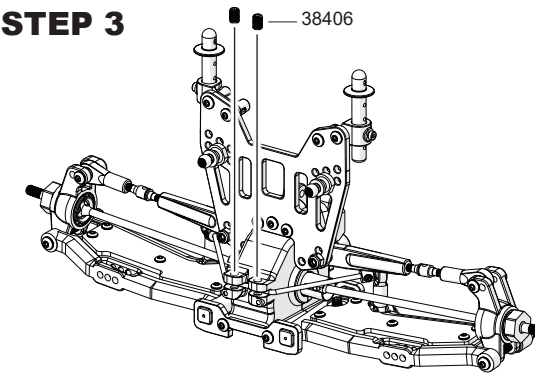
STEP 1



STEP 2



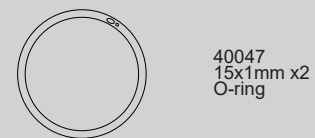
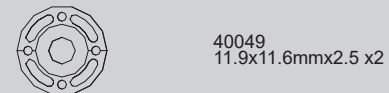
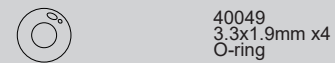
STEP 3



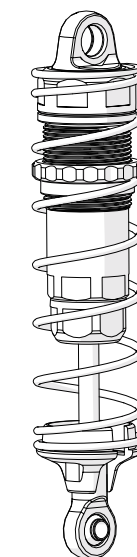
18

### Rear Shock Absorber Assembly

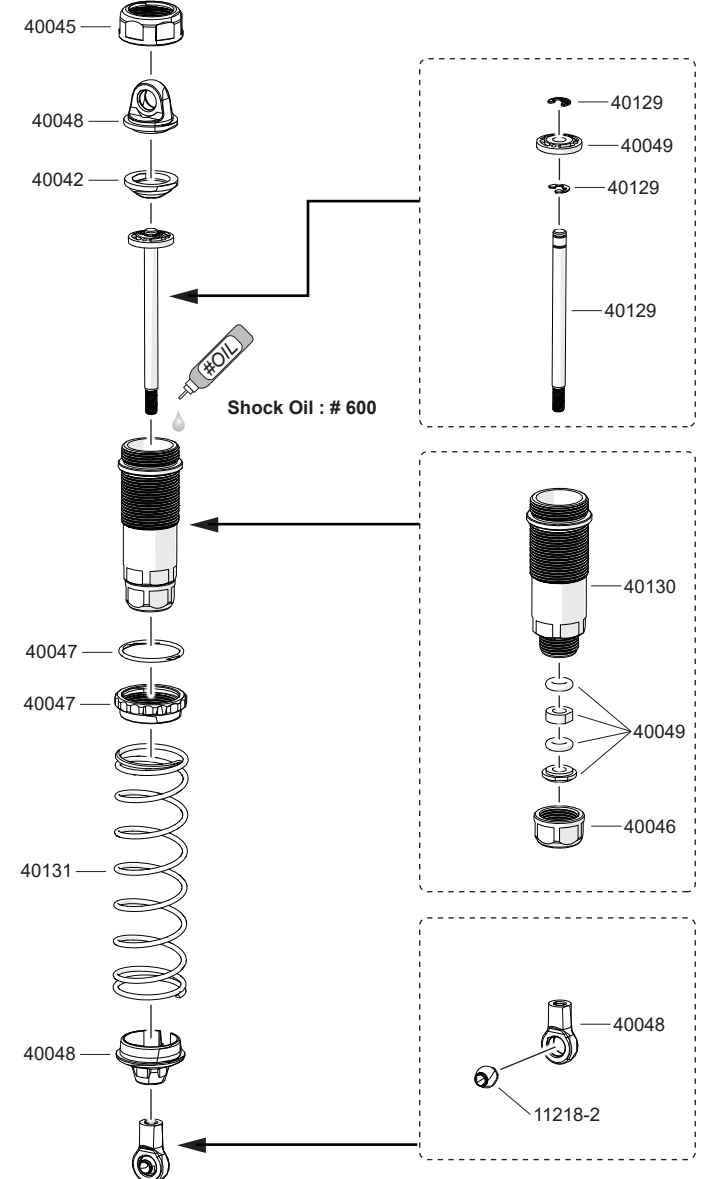
x2



#### Rear Shock Set No.11388



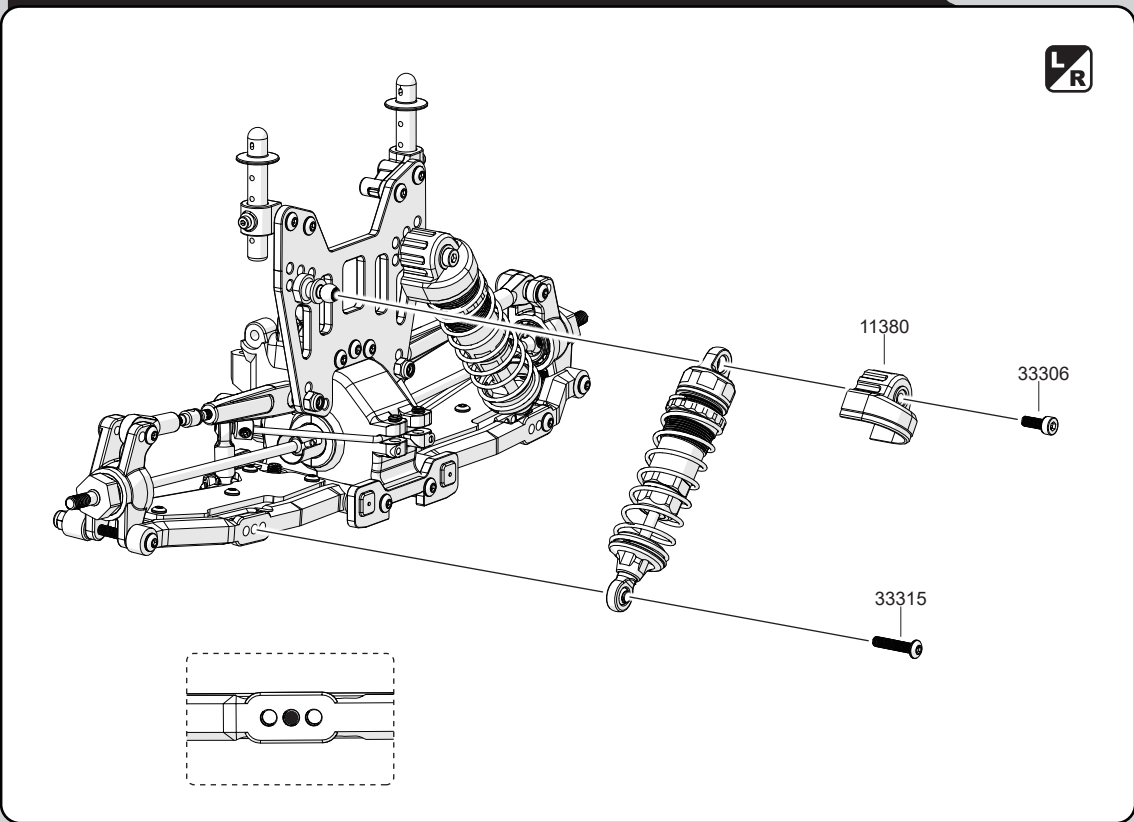
With #600 Oil



19


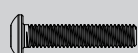
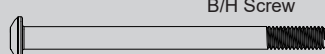

### Rear Shock Assembly

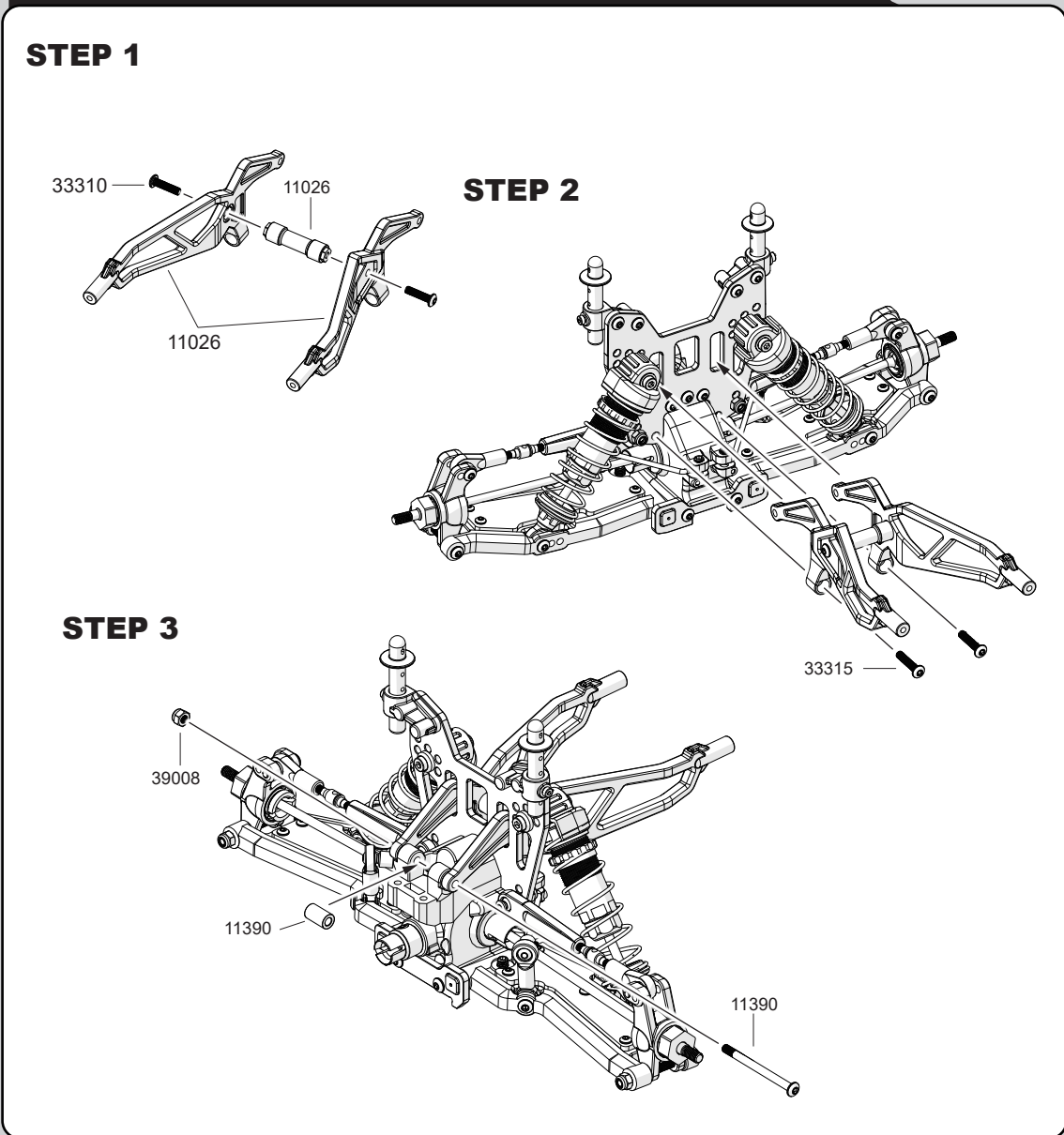
-  33306  
M3x6 x2  
B/H Screw
-  33315  
M3x15 x2  
B/H Screw



20

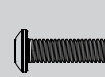
### Rear Bumper Assembly 1

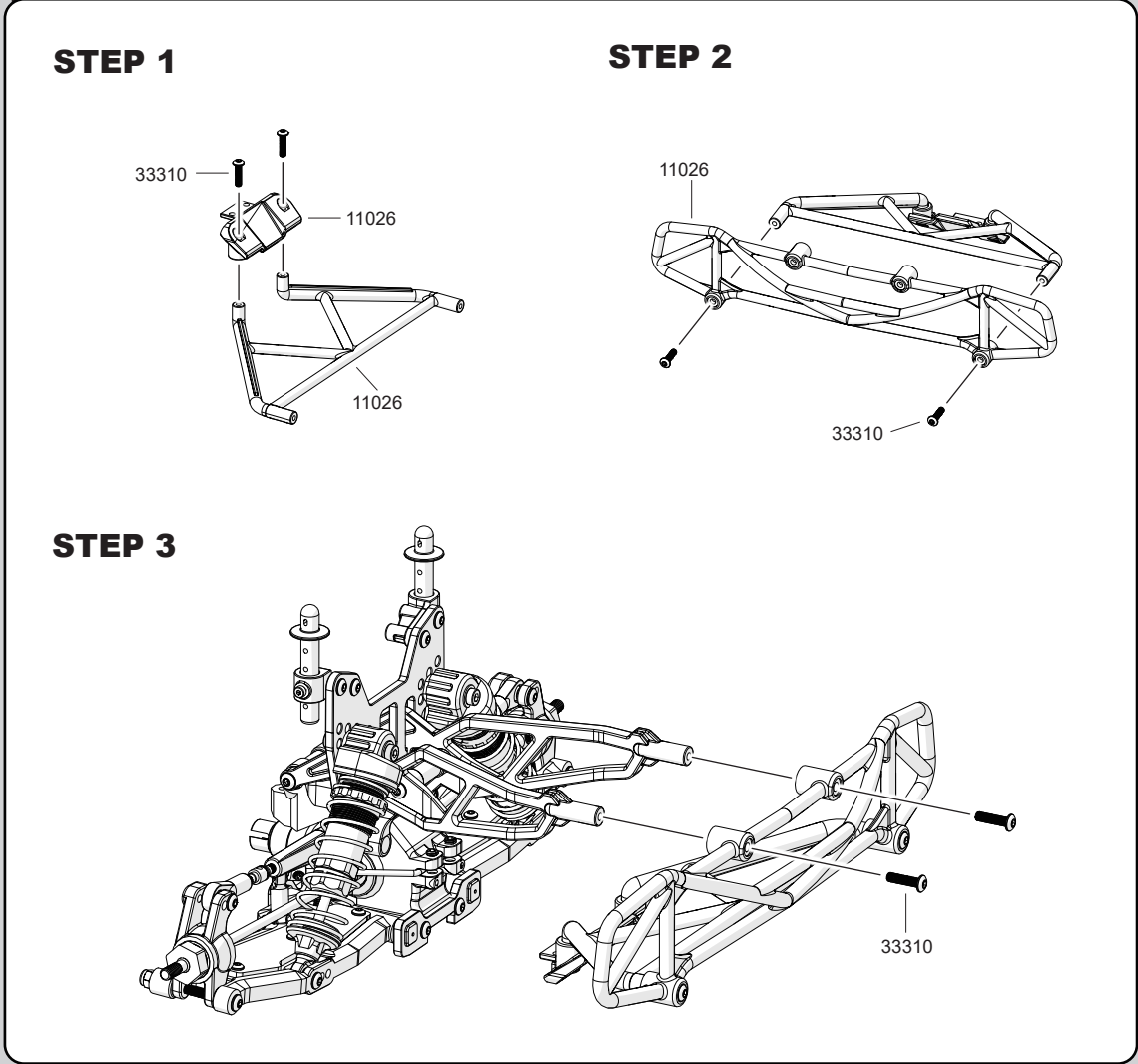
-  33310  
M3x10 x2  
B/H Screw
-  33315  
M3x15 x2  
B/H Screw
-  11390  
M3x37 x1  
B/H Screw
-  39008  
Nylon Nut M3 x1



21


### Rear Bumper Assembly 2

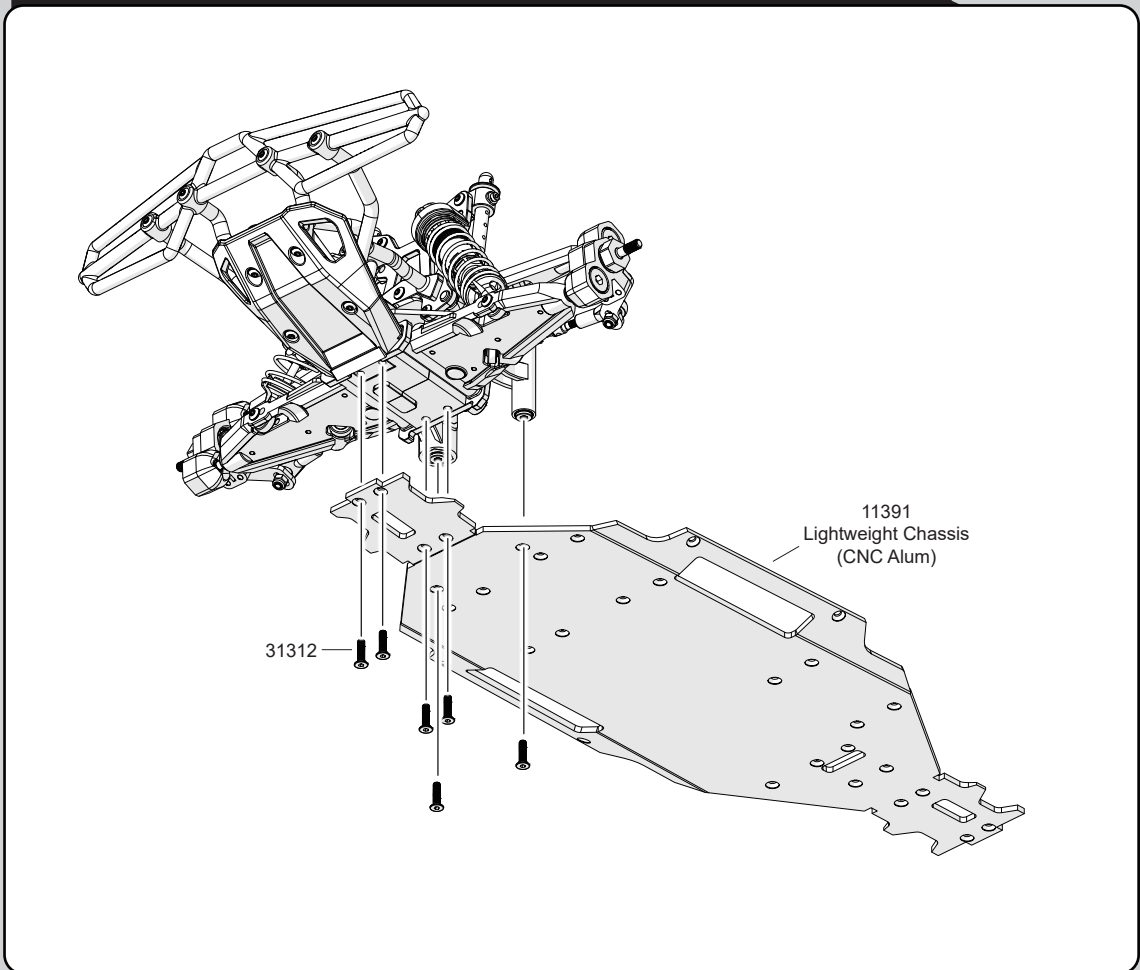
-  33310  
M3x10 x6  
B/H Screw



22

### Front Clip Assembly

-  31312  
M3x12 x6  
F/H Screw



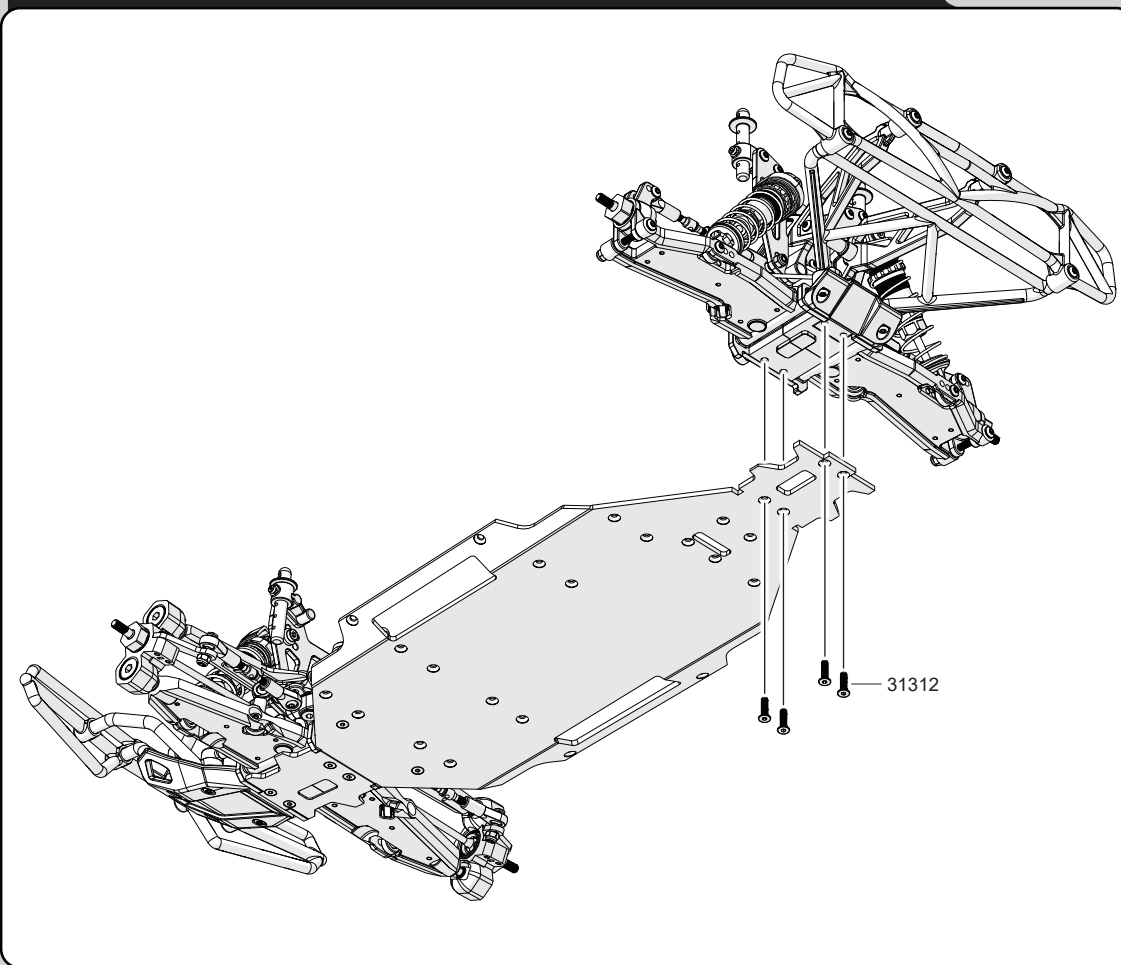


23

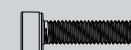
### Rear Clip Assembly



31312  
M3x12 x4  
F/H Screw



25



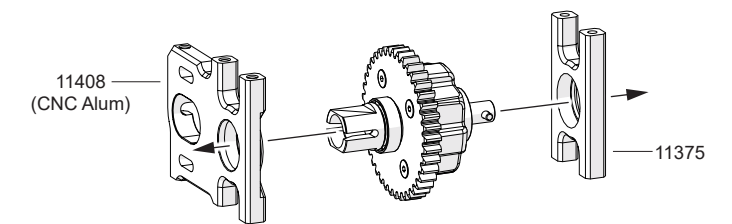
32312  
M3x12 x2  
Cap Screw



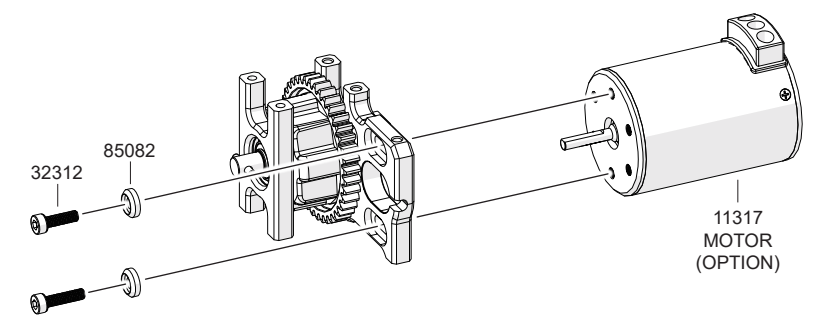
38404  
M4x4 x1  
Set Screw

### Center Differential And Motor Assembly

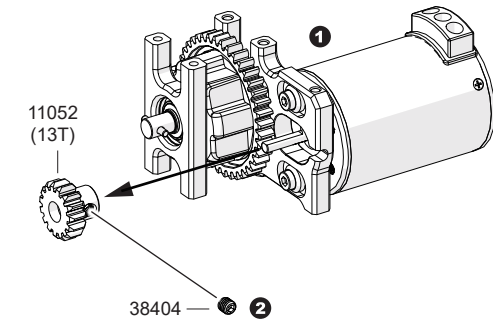
STEP 1



STEP 2



STEP 3



24

### Center Differential Assembly



31210  
M2.6x10 x4  
F/H Screw



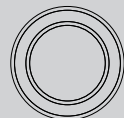
11353  
2x11.8mm x2  
Shaft



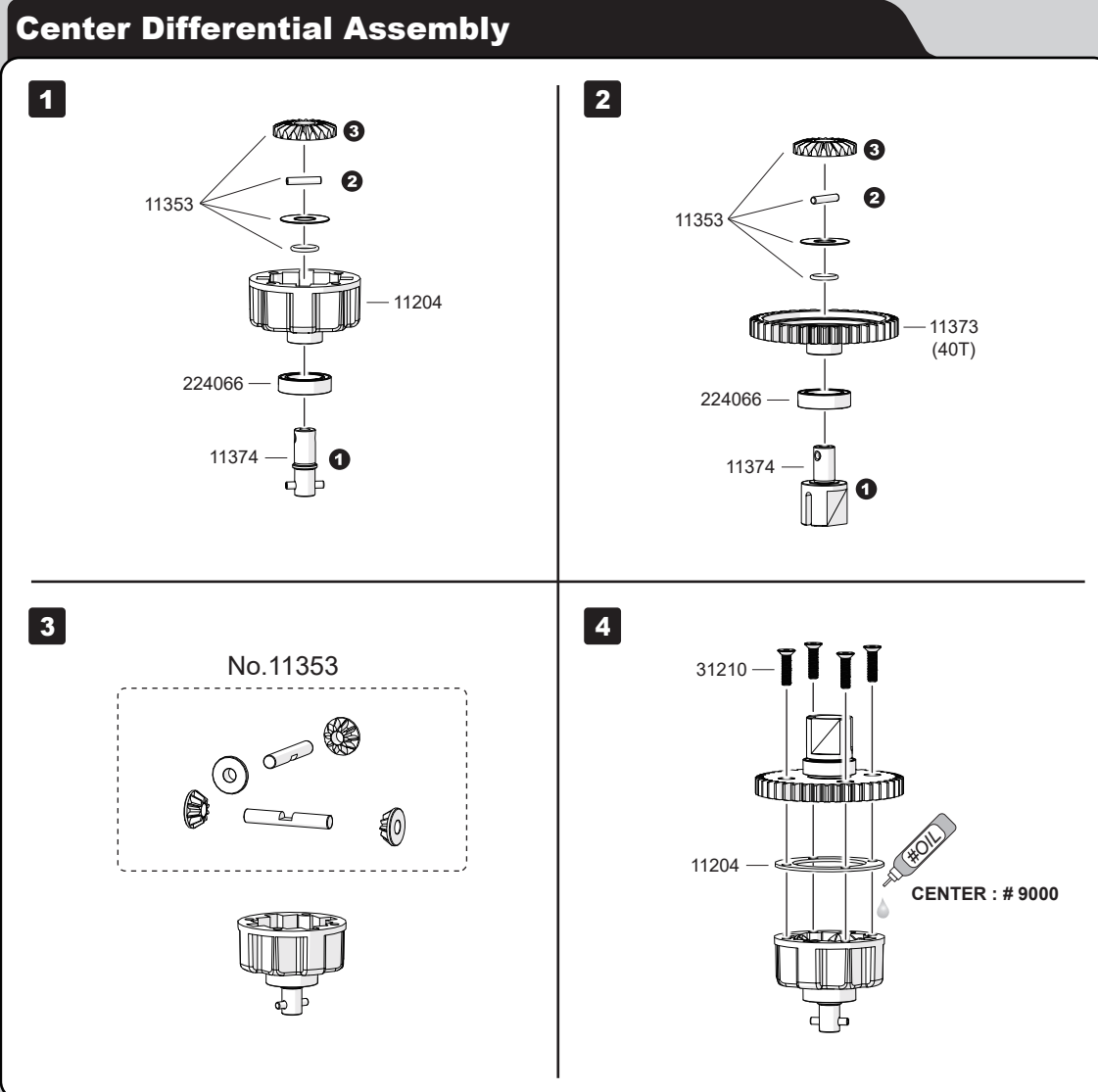
11353  
6x1mm x4  
O-ring



11353  
6.1x13.9x0.15mm x2  
Washer



224066  
10x15x4mm x2  
Ball Bearing



26



31308  
M3x8 x3  
F/H Screw



31310  
M3x10 x2  
F/H Screw



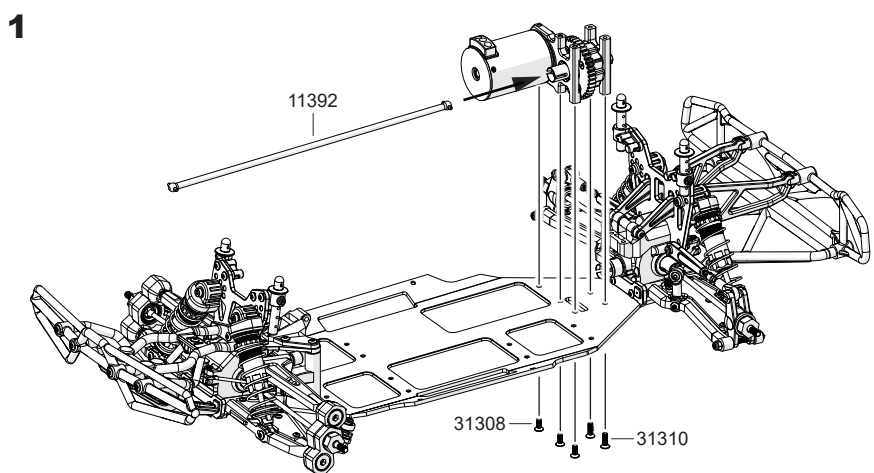
33308  
M3x8 x3  
B/H Screw



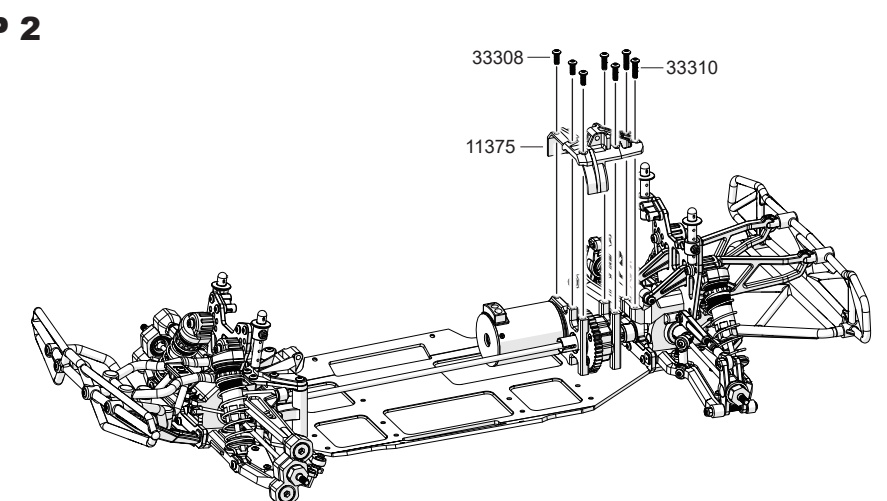
33310  
M3x10 x4  
B/H Screw

### Center Drive Shaft And Motor Unit Assembly

STEP 1





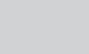


STEP 2

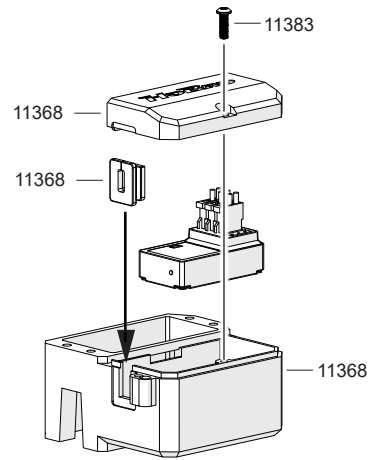


27

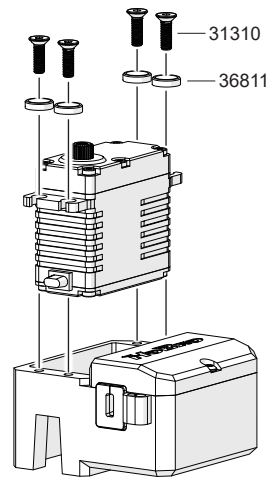
### Receive Box And Steering Servo Assembly

-  11383  
M2.5x8 x1  
B/H Screw
-  33306  
M3x6 x1  
B/H Screw
-  33308  
M3x8 x1  
B/H Screw
-  31310  
M3x10 x4  
F/H Screw
-  38304  
M3x4 x1  
Set Screw

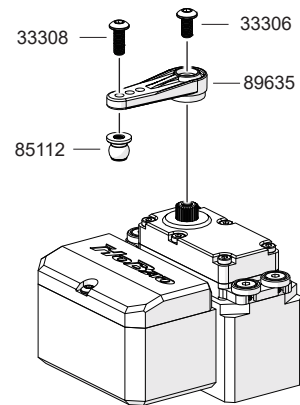
STEP 1



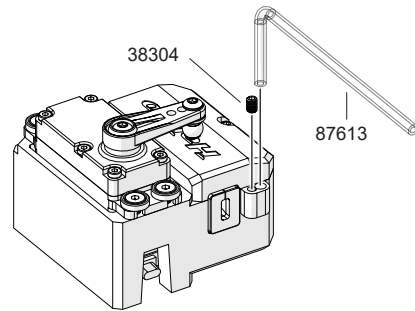
STEP 2



STEP 3




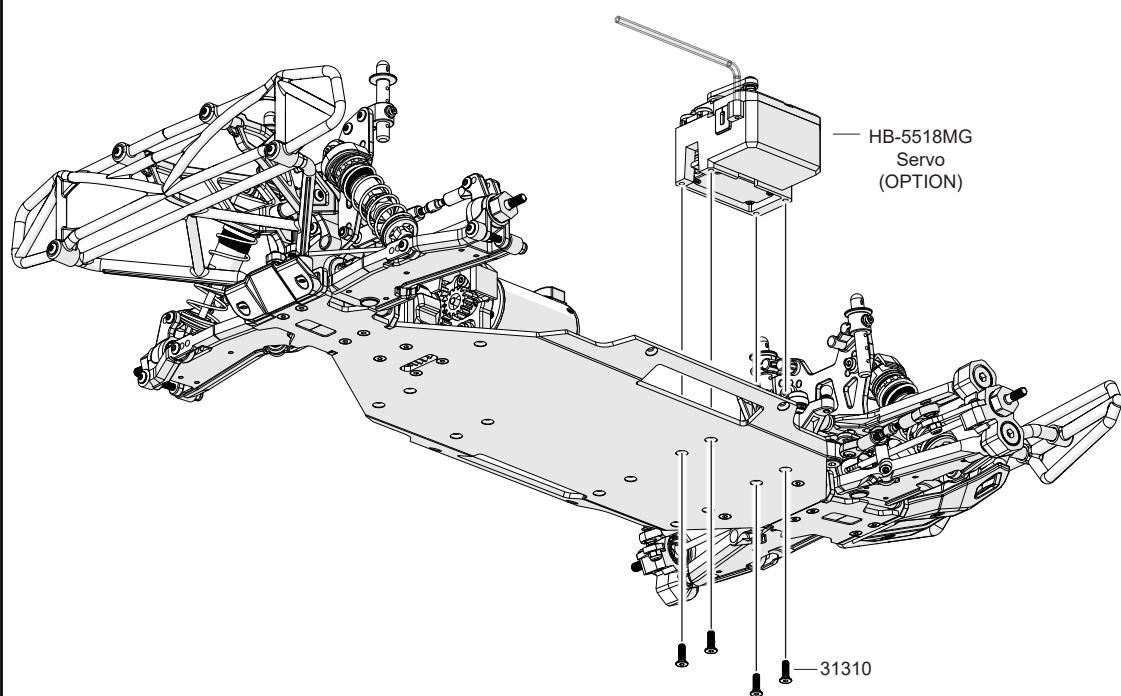
STEP 4



28

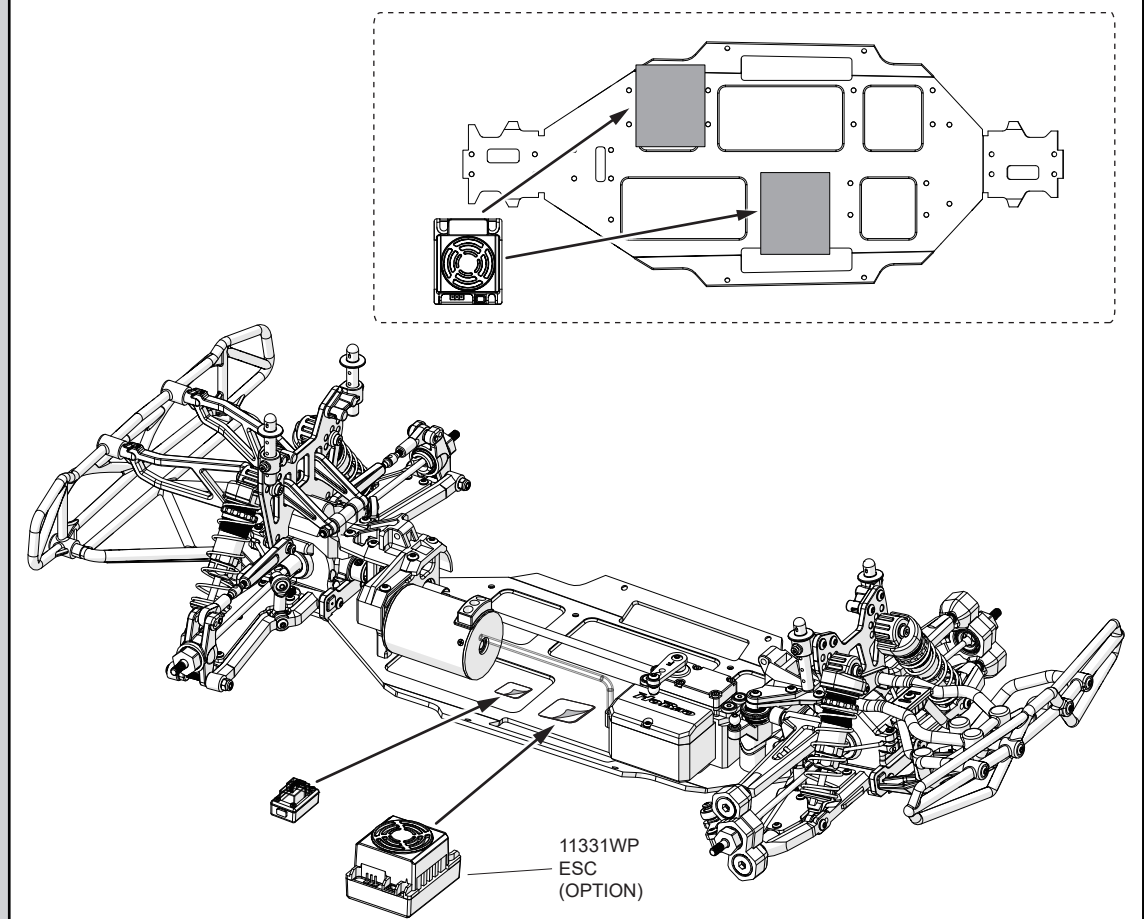
### Steering Servo Assembly

-  31310  
M3x10 x2  
F/H Screw



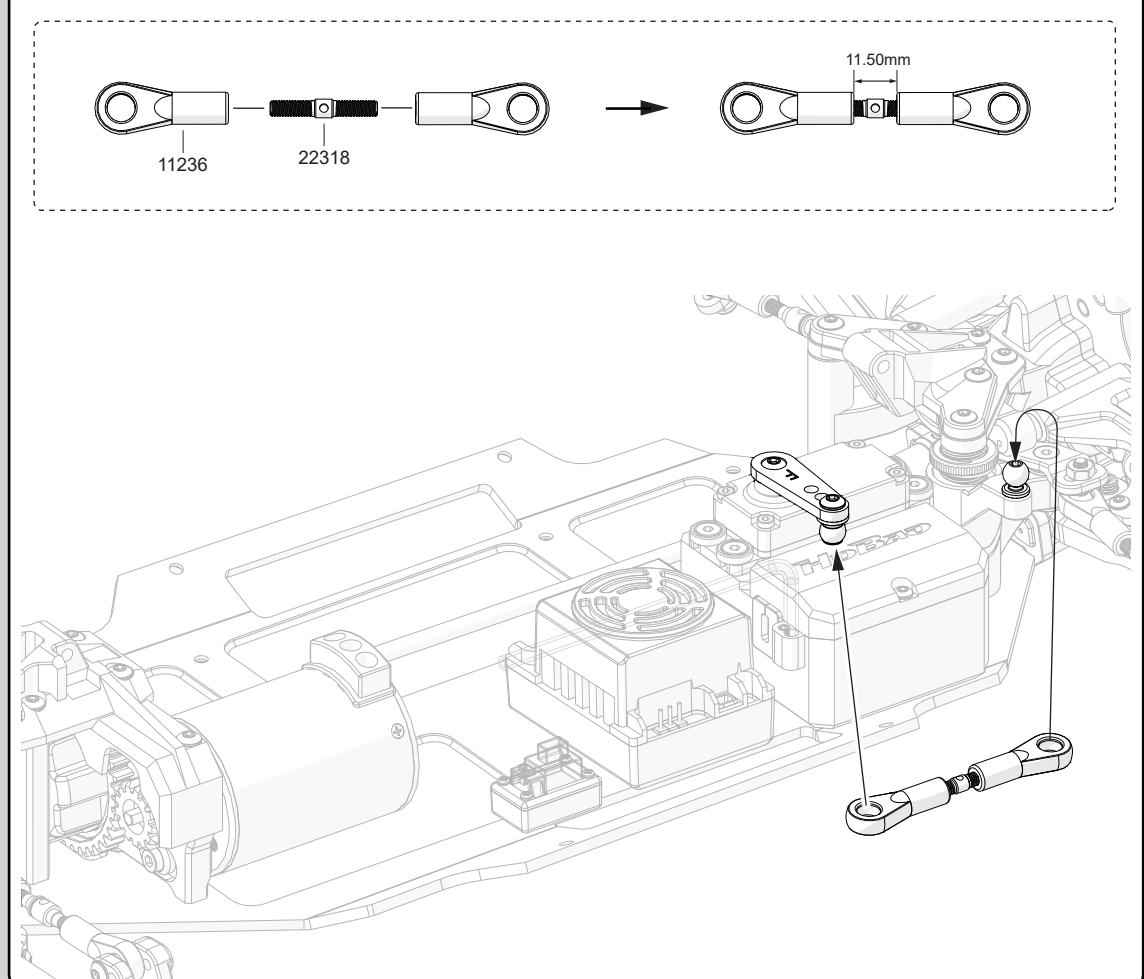
29

### ESC Assembly



30

### Steering Servo Linkage Assembly



31

### Battery Tray Unit Assembly

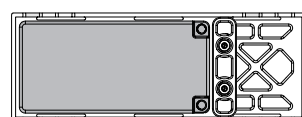
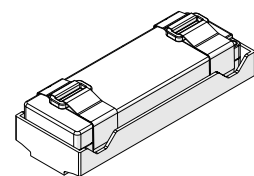
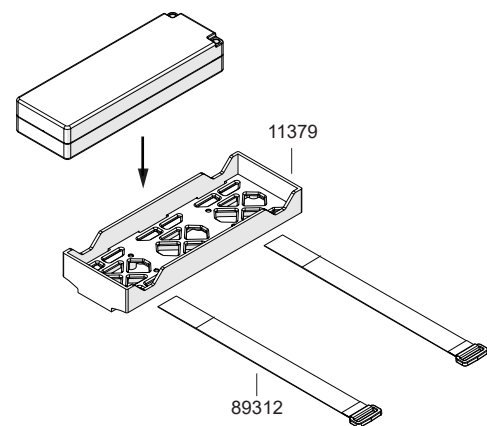


33310  
M3x10 x2  
B/H Screw



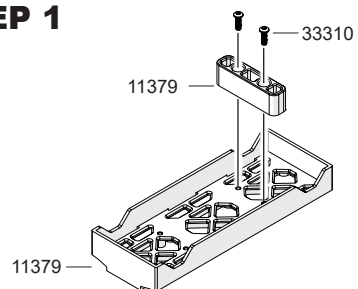
Long Battery

#### STEP 1

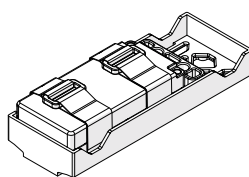
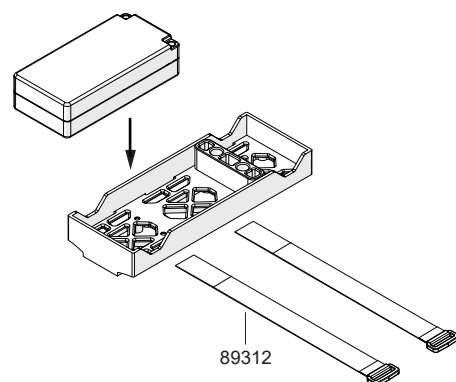


Short Battery

#### STEP 1



#### STEP 2

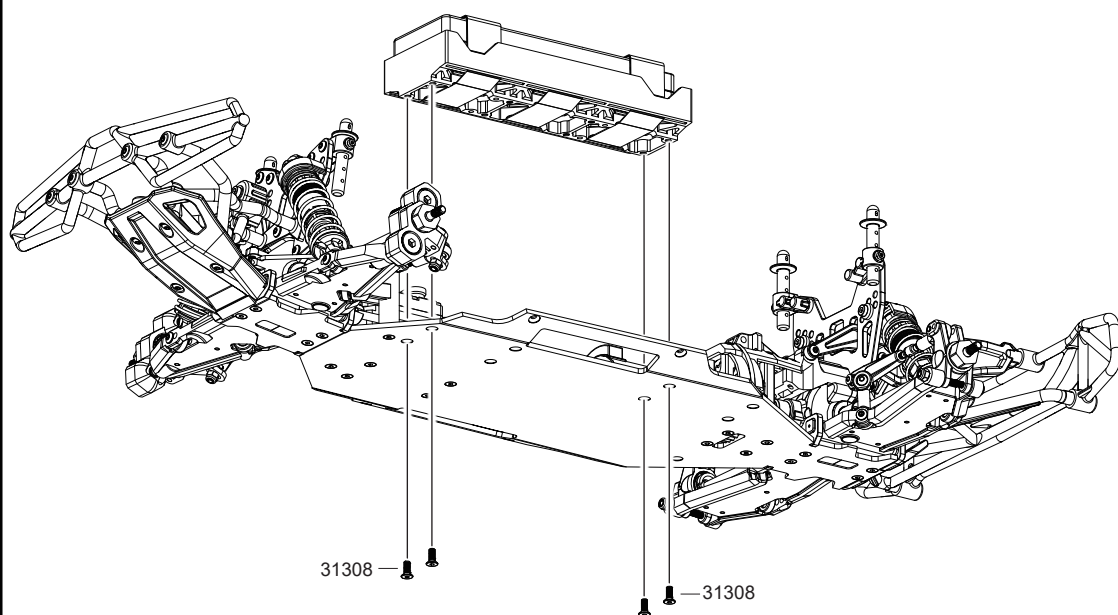


32

### Battery Box Assembly



31308  
M3x8 x2  
F/H Screw



33

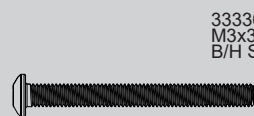
### Top Brace Assembly



38303  
M3x3 x4  
Set Screw



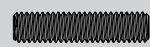
33306  
M3x6 x2  
B/H Screw



33330  
M3x30 x2  
B/H Screw

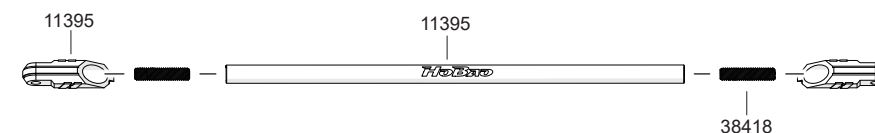


39008  
Nylon Nut M3 x2

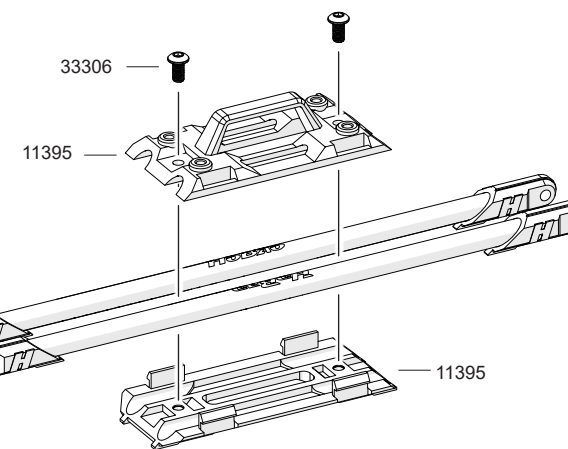


38418  
M4x18 x4  
Set Screw

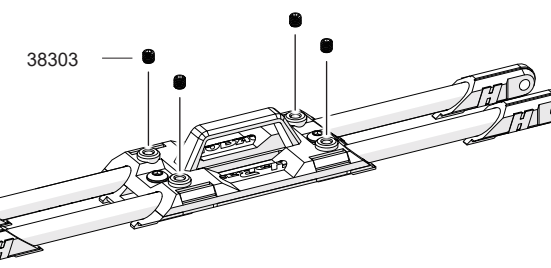
#### STEP 1



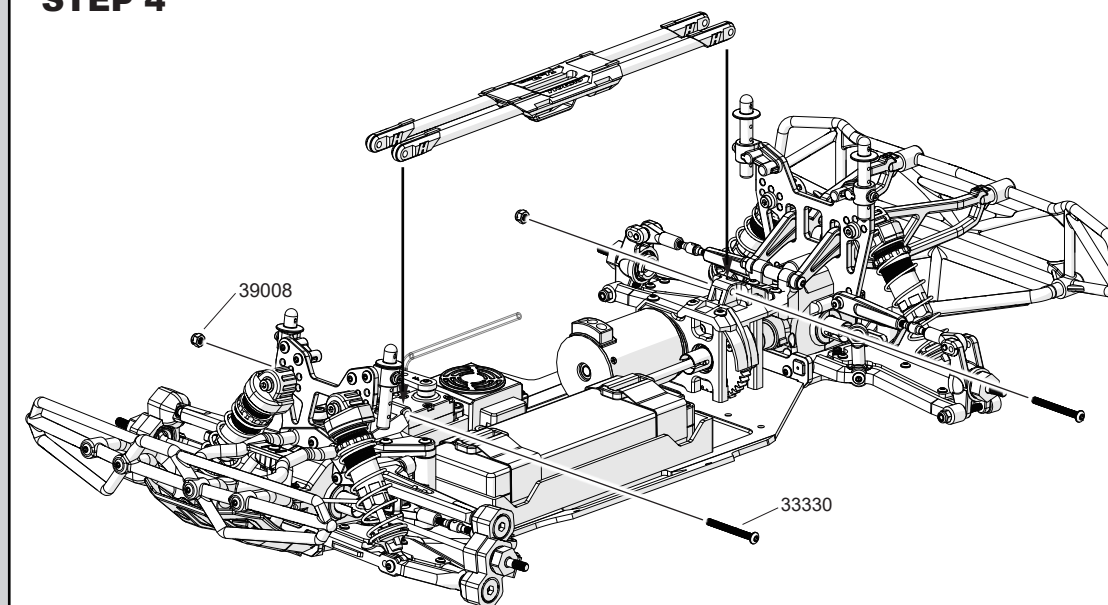
#### STEP 2







#### STEP 3



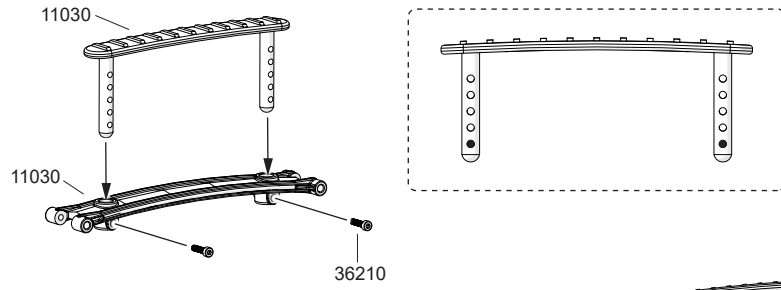
#### STEP 4



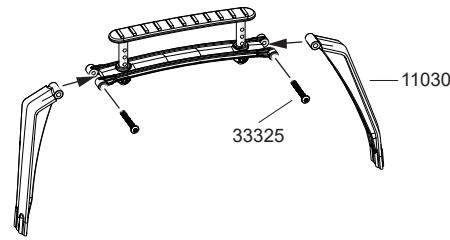
Roll Bar Assembly

-  36210  
M2.6x10 x2  
Cap Screw
-  31310  
M3x10 x2  
F/H Screw
-  33312  
M3x12 x4  
B/H Screw
-  33325  
M3x25 x2  
B/H Screw

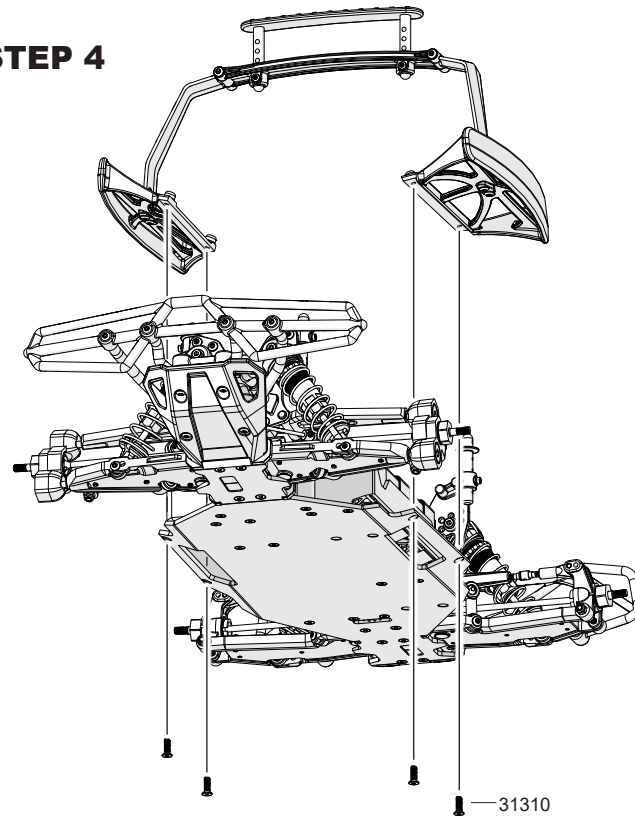
STEP 1



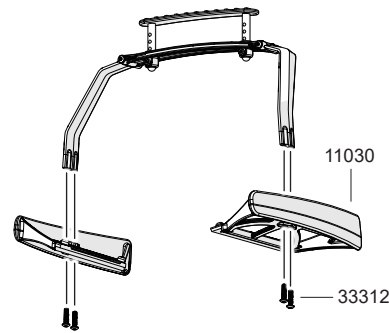
STEP 2



STEP 4




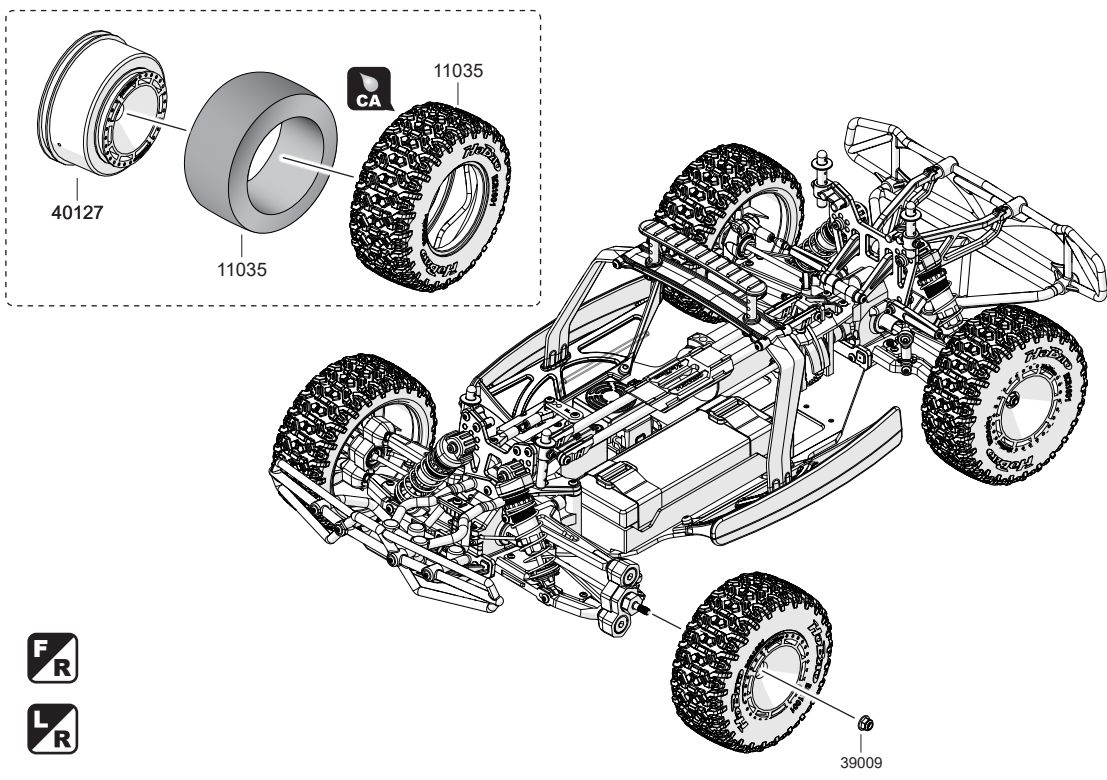
STEP 3



Tire Assembly

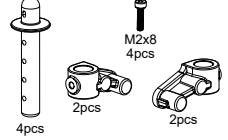
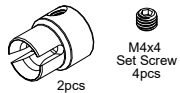
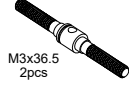


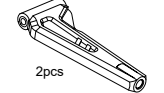
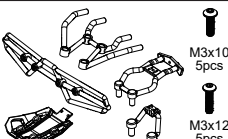
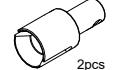

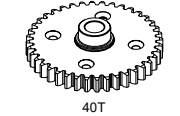


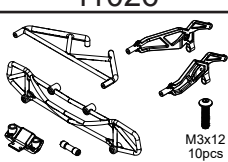
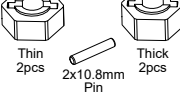

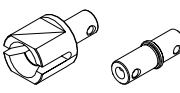
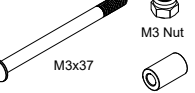

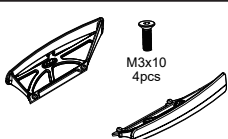

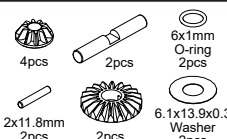
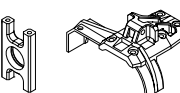
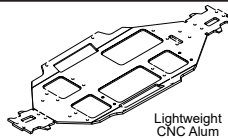
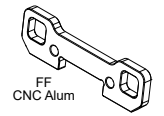
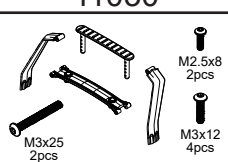
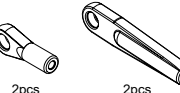
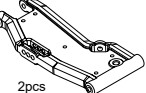
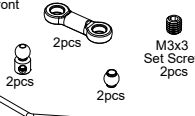
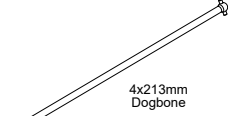
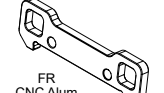

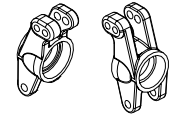
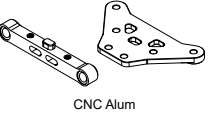
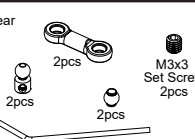
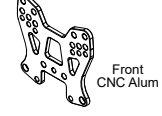
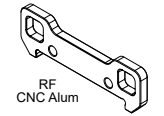
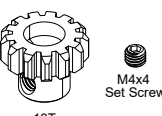
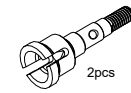
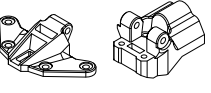
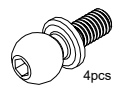
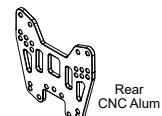
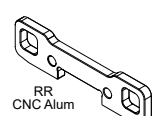
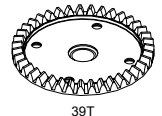
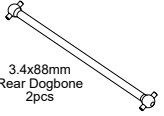
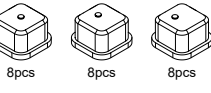
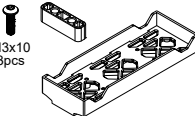
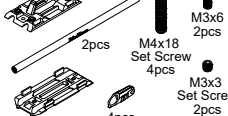

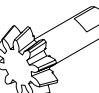
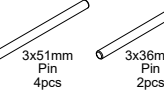
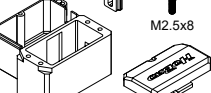
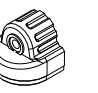
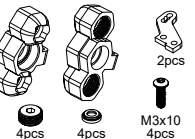
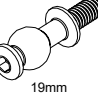
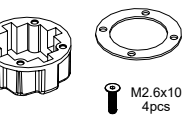
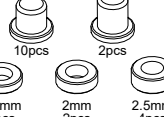

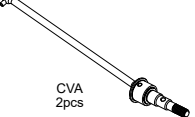

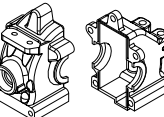
x4

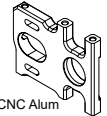


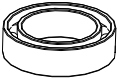
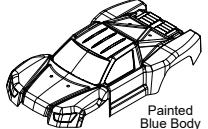
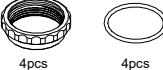

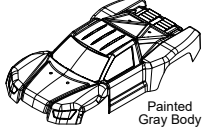


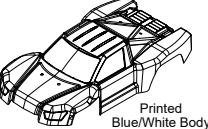
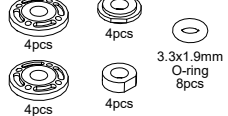

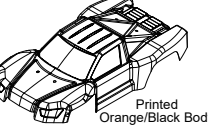



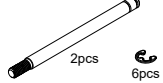
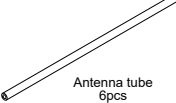


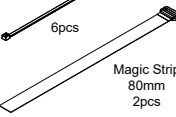

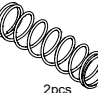


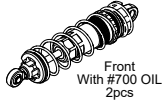
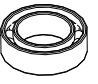

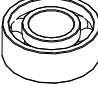

-  39009  
Nylon Nut M4 x4


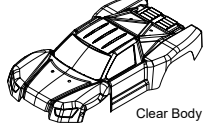


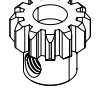
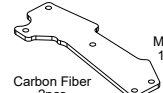
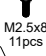



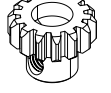


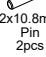
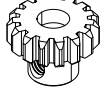



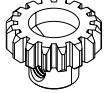



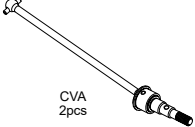

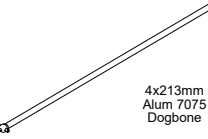
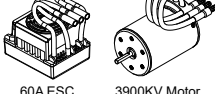




# HYPER10SC2.0

## PARTS LIST

11024 	11205 	11235 	11372 	11383 	11398 
11025 	11206 	11236 	11373 	11388 	11399 
11026 	11217 	11259 	11374 	11390 	11400 
11029 	11218-2 	11353 	11375 	11391 	11401 
11030 	11222 	11358 	11376 	11392 	11402 
11035 	11225 	11359 	11377 	11393 	11403 
11052 	11226 	11365 	11378 	11394 	11404 
11201 	11227 	11367 	11379 	11395 	11405 
11202 	11228 	11368 	11380 	11396 	11406 
11204 	11229 	11371 	11382 	11397 	11407 

11408	40046	85082	224066		
 CNC Alum	 4pcs	 CNC Alum 2pcs	 10x15x4mm 4pcs		
11410	40047	85112			
 Painted Blue Body	 4pcs	 5.8mm Alum 7075 4pcs			
11411	40048	85152			
 Painted Gray Body	 4pcs	 M4x10 Set Screw 5pcs			
11412	40049	87031			
 Printed Blue/White Body	 4pcs	 2pcs			
11413	40127	87375			
 Printed Orange/Black Body	 2pcs	 6pcs			
11414	40130	87613			
 HYPER 10SC 2.0 Decal	 2pcs	 Antenna tube 6pcs			
22318	40131	89312			
 M3x20 2pcs	 2pcs	 6pcs			
36811	40132	89635			
 CNC Alum 3mm Washer 10pcs	 2pcs	 CNC Alum M3x8			
40042	40133	224064			
 4pcs	 Front With #700 OIL 2pcs	 5x8x2.5mm 4pcs			
40045	84075	224065			
 4pcs	 6x13x5mm 4pcs	 5x11x4mm 6pcs			

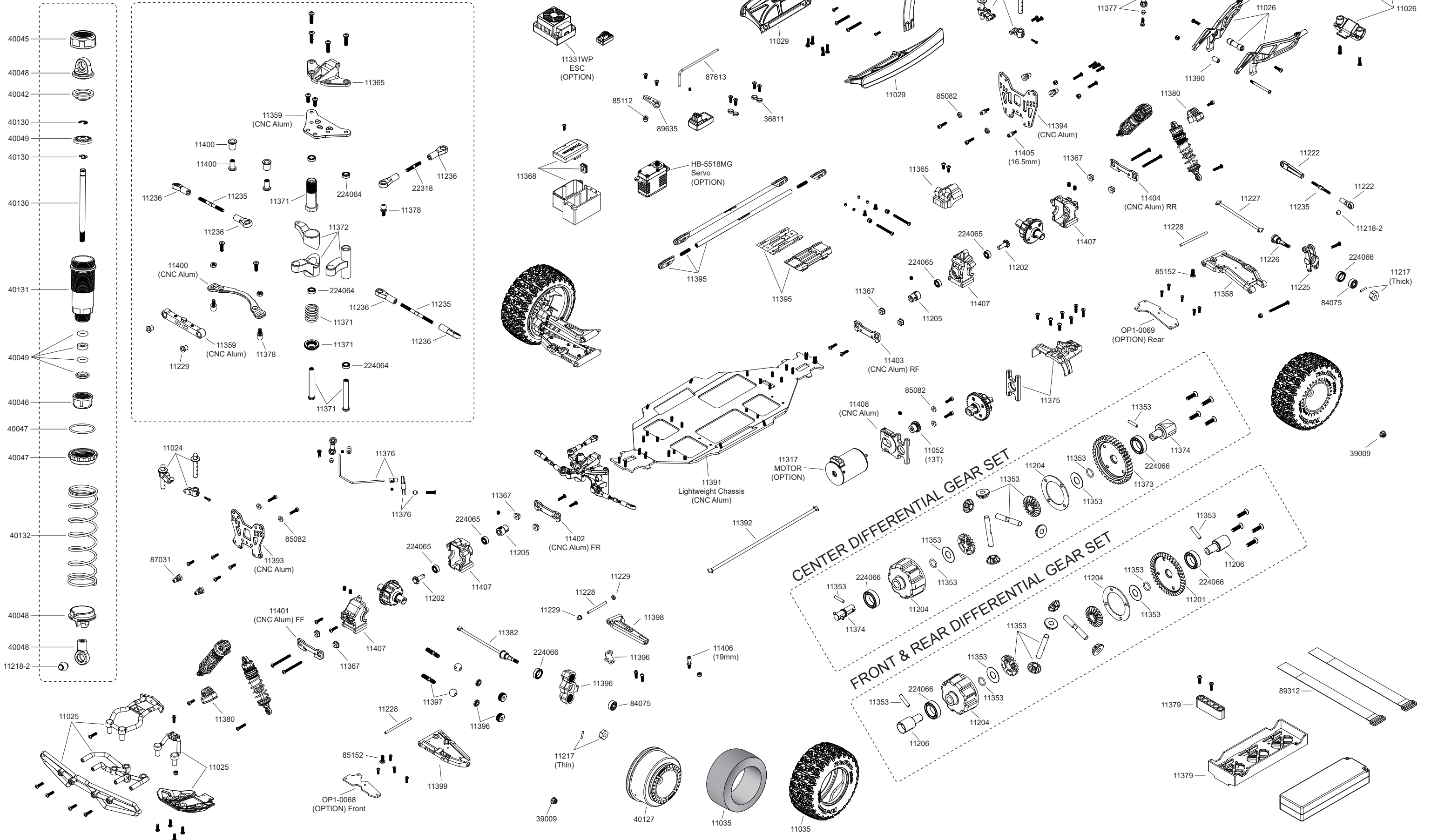
OPTIONAL PARTS					
		11034	11409	OP1-0068	
		 2pcs	 Clear Body	 Front Carbon Fiber 2pcs	 M2.5x8 11pcs
		11042		OP1-0069	
		 12T		 Rear Carbon Fiber 2pcs	 M2.5x8 11pcs
		11067		OP1-0074	
		 4pcs	 M3x3 Set Screw 4pcs	 Grey 2pcs	
		11306		OP1-0075	
		 14T	 M4x4 Set Screw	 CNC Alum 2pcs	 2x10.8mm Pin 2pcs
		11311		OP1-0076	
		 15T	 M4x4 Set Screw	 CNC Alum +1mm 2pcs	 2x10.8mm Pin 2pcs
		11312		OP1-0079	
		 16T	 M4x4 Set Screw	 CNC Alum	
		11317		OP1-0082	
		 3900KV Motor		 CVA 2pcs	
		11318		OP1-0083	
				 4x213mm Alum 7075 Dogbone	
		11330WP			
		 60A ESC	 3900KV Motor		
		11331WP			
		 60A ESC			



**NO.40133  
FRONT SHOCK SET  
WITH #700 OIL**

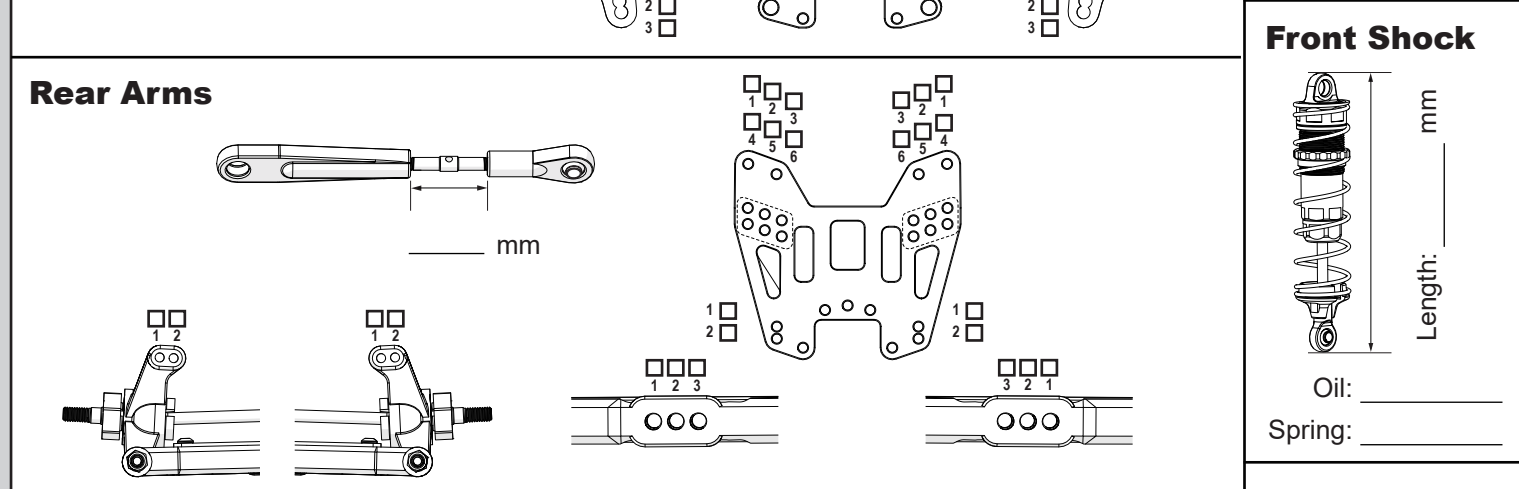
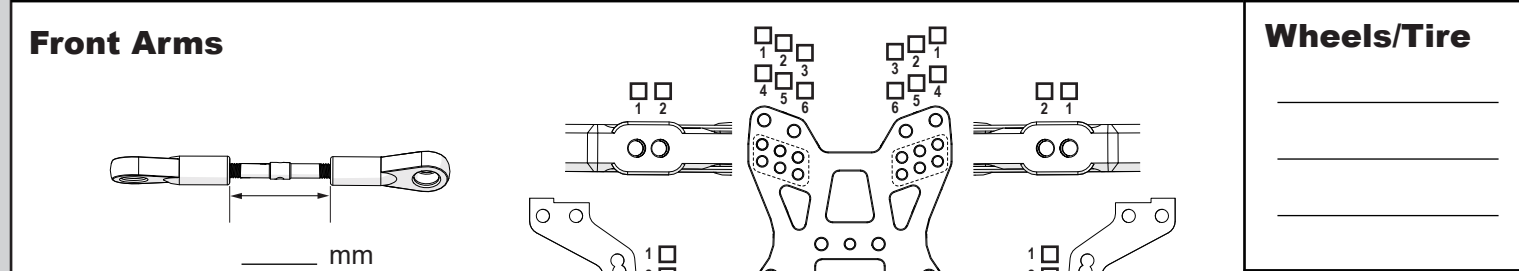
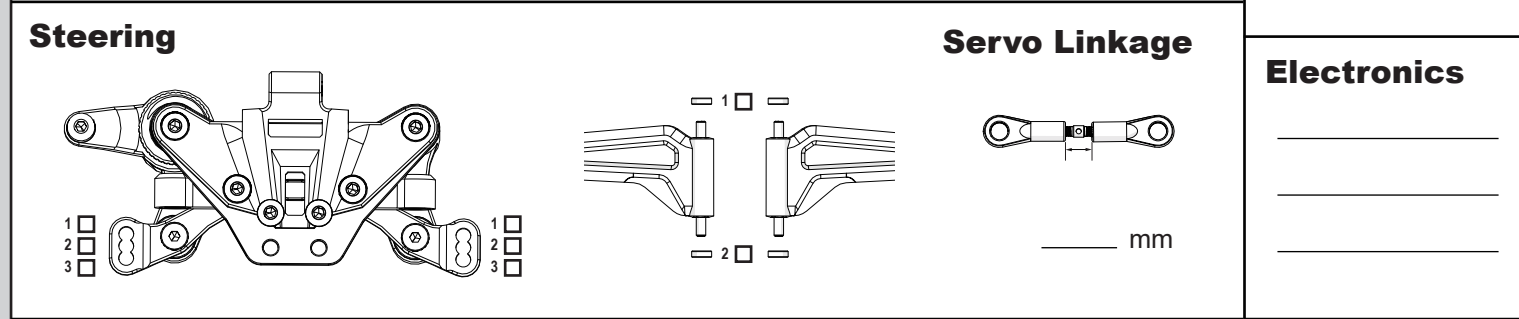
**NO.11388  
REAR SHOCK SET  
WITH #600 OIL**

# HYPER 10SC20



<b>Name:</b>	<b>Date:</b>
<b>Track:</b>	<b>Event:</b>

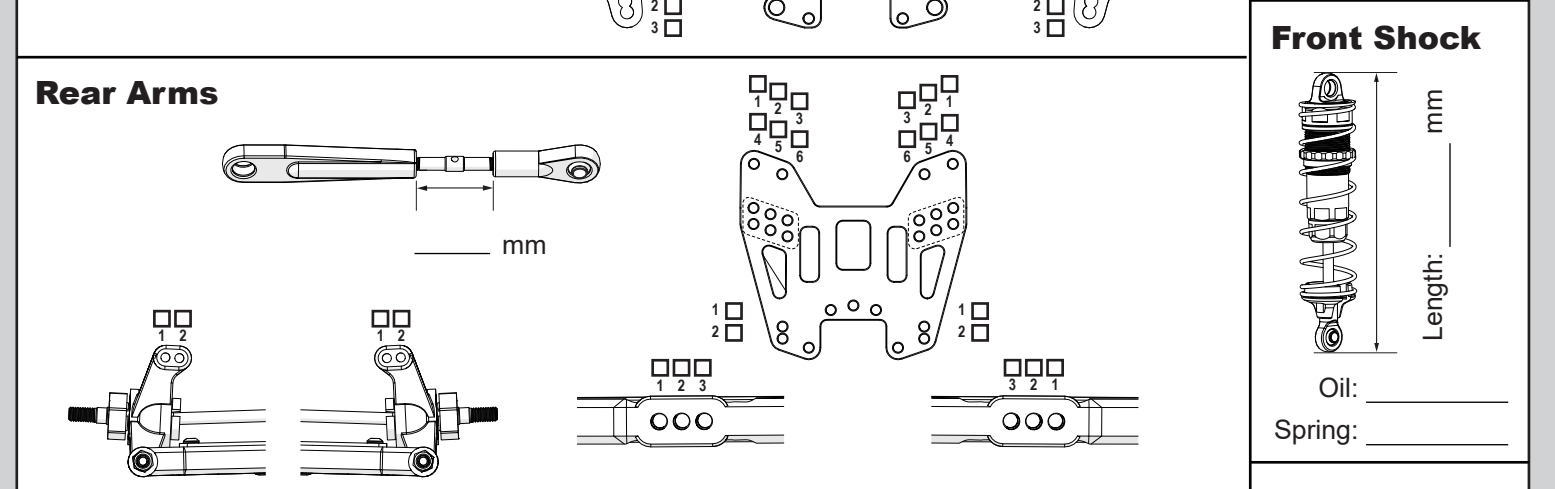
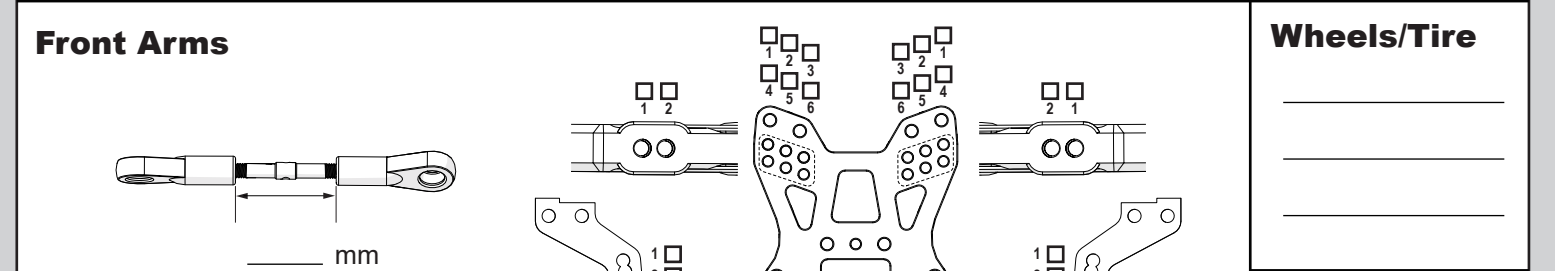
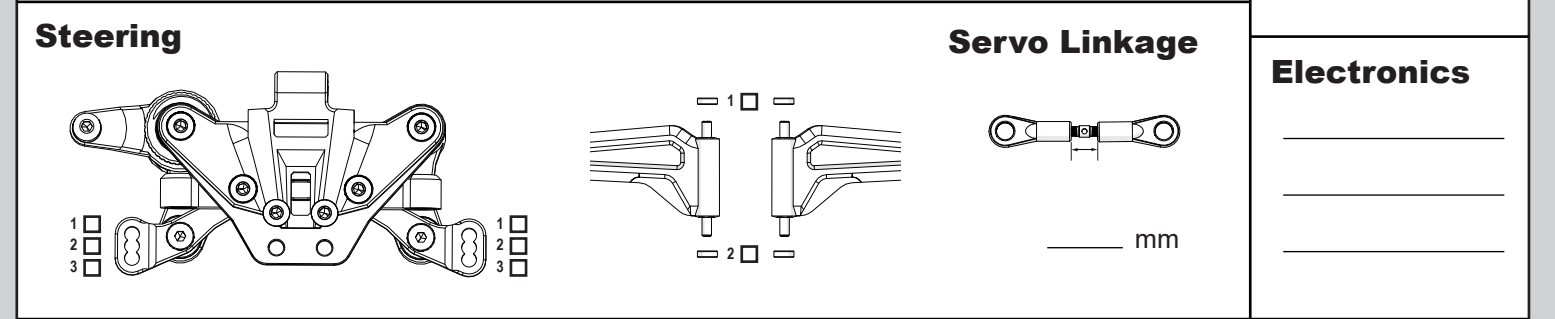
<b>Note:</b>	<b>Diff. Oil</b> Frot: _____ Center: _____ Rear: _____
	<b>Gear</b> Motor Gear: _____ Spur Gear: _____
	<b>Electronics</b> _____ _____ _____



<b>Ride Height (F/R) , Camber and Toe</b>	
No.11367 ARM HOLDER PILL INSERTS	
	A(FF): _____
	B(FR): _____
	C(RF): _____
	D(RR): _____
	Length: _____ Oil: _____ Spring: _____

<b>Name:</b>	<b>Date:</b>
<b>Track:</b>	<b>Event:</b>

<b>Note:</b>	<b>Diff. Oil</b> Frot: _____ Center: _____ Rear: _____
	<b>Gear</b> Motor Gear: _____ Spur Gear: _____
	<b>Electronics</b> _____ _____ _____



<b>Ride Height (F/R) , Camber and Toe</b>	
No.11367 ARM HOLDER PILL INSERTS	
	A(FF): _____
	B(FR): _____
	C(RF): _____
	D(RR): _____
	Length: _____ Oil: _____ Spring: _____